



Asia Pacific Express Catalog





TABLE OF CONTENTS

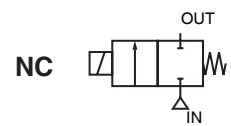
Series	Page
110	2
210	3
215	5
220	6
223	7
238	8
256	9
262	10
X282	11
284	12
291	13
292	14
353	15
356	16
E290	17
S290	19
290PD	21
314	23
316	24
320	26
327	27
384	30
RB	31
HV293734	32
342	33
344	34
345	35
531	36
551	37
553	40
SSFR	41
X189	42
190	43
521	44
541&543	45
450	46
453	47
501	48
503	49
G3	50
580	51
HV434441	52
C	53
HV434442	54
J3	55
651&652	57
YA	58
YB	60
L172&L176	62
L182&L282	63
L182 big	65
L282 big	66
L372&L376	67
VCEF/VCEV Installation	68

The lead time is business 10 days for any items in this catalogue with quantity equal to or less than 10 pieces for each part number.
Over quantity of 10 pieces, please contact with ASCO.



SOLENOID VALVES

containing 2 to 12 valves
2/2 normally closed, direct operated
1/8"



2/2
Series
110

FEATURES

- Compact pilot boxes with direct operated, integrated pilot valves
- Especially designed for the remote control of pulse valves (series 353)
- Valve seats are integrated in base plate
- Common exhaust connection for just 1 or 2 (G 3/8) silencers
- Built-in heating elements for trouble free operation at low ambient temperatures
- Degree of protection: IP65
- Facilities for integrated quick fittings



STANDARD VOLTAGES

DC (=) : 24V
AC (-) : 115V-230V/50-60Hz

SPECIFICATIONS

Number of Pilot Valves	Pipe Size	Orifice Size	Flow Coefficient Kv		Operating Pressure Differential (bar)		Catalog Number for the Boxes ⁽¹⁾
					Min.	Maximum (PS)	
						Air ~/=	
	G	(mm)	(m ³ /h)	(l/min)			without Heating
2	1/8	3.6	0.35	5.8	0	8.5	SG110A020
3							SG110A030
4							SG110A040
5							SG110A050
6							SG110A060
7							SG110A070
8							SG110A080
9							SG110A090
10							SG110A100
11							SG110A110
12							SG110A120

(1) Minimum ambient temperature without heating elements: 0°C

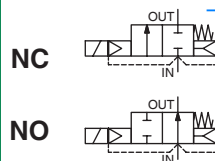
SOLENOID VALVES

pilot operated, hung diaphragm
brass or stainless steel bodies
3/8" - 2"

一级代理商

2/2

Series

210


FEATURES

- Two way shut-off valves for the control air, inert gas, water, oil and other gases/liquids compatible with the sealing material used
- Valves do not require a minimum operating pressure
- All products are covered by Pressure Equipment Directive 97/23/EC and are suitable for group 1 and 2 fluids
- The solenoid valves satisfy all relevant EC directives



STANDARD VOLTAGES

DC (=) : 24V; 125V(HC)
 AC (-) : VC, EF/VCEF, Redhat II 110V/50Hz-120V/60Hz; 220V/50Hz-240V/60Hz
 SC, NF, WP, PV 115V/50Hz; 120V/60Hz; 230V/50Hz

SPECIFICATIONS

Pipe Size	Orifice Size	Flow Coefficient Kv		Operating Pressure Differential (bar)				Prefix										No Prefix	Catalog Number		Option			
				Max. (PS)				SC	PV	VC	EF/VCEF ⁽⁶⁾	NF/NFET	JKF/JKH	HT	HB	HC	WP		Brass	Stainless Steel	FPM	EPDM		
				Min.	~	=	~																=	Air
NC - Normally closed																								
3/8	10	1.3	22	- ⁽⁴⁾	10	3	9	3	-	-	•	-	•	•	-	-	-	•	-	-	8210G036	V	-	
3/8	16	2.6	43	0.3	14	9	10	7	9	7	•	-	•	•	-	-	-	•	-	-	8210G001	-	V	
3/8	16	2.6	43	0.35	14	9	10	7	9	7	•	-	-	-	-	-	-	•	-	-	E210D001	-	V	
3/8	16	2.6	43	0	10	3	10	3	-	-	•	-	•	•	-	-	-	•	-	-	8210G093	-	V	
3/8	16	2.6	43	0	9	3	9	3	-	-	•	-	-	-	-	-	-	•	-	-	❖210C093	-	V	
1/2	11	1.9	32	0	10	3	9	3	-	-	•	-	•	•	-	-	-	•	-	-	8210G015	-	V	
1/2	11	1.9	32	0	10	3	9	3	-	-	•	-	•	•	-	-	-	•	-	-	-	8210G037	V	E
1/2	16	3.4	57	0	9	3	9	3	-	-	•	-	-	-	-	-	-	•	-	-	❖210C094	-	V	
1/2	16	3.4	57	0	10	3	10	3	-	-	•	-	•	•	-	-	-	•	-	-	8210G094 ⁽⁵⁾	-	V	
1/2	16	3.4	57	0.3	14	9	10	7	9	7	•	-	•	•	-	-	-	•	-	-	8210G002	-	V	
1/2	16	3.4	57	0.35	14	9	10	7	9	7	•	•	-	-	-	-	-	•	-	-	❖210D002 ⁽⁵⁾	-	V	
1/2	16	3.4	57	0.3	21	-	21	-	21	-	•	-	•	-	-	-	-	•	-	-	8210G007	-	V	
1/2	16	3.4	57	0.35	20	-	20	-	20	-	•	-	-	-	-	-	-	•	-	-	❖210C007	-	V	
1/2	16	3.4	57	0	10	3	10	3	9	-	•	-	• ⁽¹⁾	• ⁽²⁾	-	-	-	•	-	-	-	8210G087	V	-
1/2	16	3.4	57	0	9	3	9	3	9	-	•	-	-	-	-	-	-	•	-	-	❖210C087	V	-	
3/4	16	3.9	65	0	10	3	10	3	9	-	•	-	•	• ⁽¹⁾	• ⁽¹⁾	• ⁽²⁾	-	•	-	-	-	8210G088	V	E
3/4	16	3.9	65	0	9	3	9	3	9	-	•	-	-	-	-	-	-	•	-	-	❖210C088	V	-	
3/4	19	4.3	72	0	10	3	10	3	-	-	•	-	•	•	-	-	-	•	-	-	8210G095	-	V	
3/4	19	4.3	72	0	9	3	9	3	-	-	•	-	-	-	-	-	-	•	-	-	❖210D095	-	V	
3/4	19	4.3	72	0.3	9	7	9	6	9	5	•	-	•	•	-	-	-	•	-	-	8210G009 ⁽⁵⁾	-	V	
3/4	19	4.3	72	0.35	9	7	9	6	9	5	•	-	-	-	-	-	-	•	-	-	❖210D009	-	V	
3/4	19	5.6	93	0.3	17	9	10	9	7	9	•	-	•	•	-	-	-	•	-	-	8210G003	-	V	
3/4	19	5.6	93	0.35	17	9	10	9	7	9	•	-	-	-	-	-	-	•	-	-	❖210D003	-	V	
1	25	11	183	0.3	10	9	10	9	7	9	•	-	•	•	-	-	-	•	-	-	8210G004	-	V	
1	25	11.1	185	0.35	9	9	9	9	9	9	•	-	-	-	-	-	-	•	-	-	❖210D004	-	V	
1	25	11	183	0	10	-	9	-	9	-	•	-	-	-	-	-	-	•	-	-	8210G054 ⁽²⁾	-	V	
1	25	11	183	0	10	-	9	-	9	-	•	-	-	-	-	-	-	•	-	-	❖210B154	-	V	
1	25	11	183	0	10	7	9	7	9	6	•	-	-	-	-	-	-	•	-	-	-	8210G089 ⁽²⁾	V	E
1	25	11	183	0	10	7	9	7	9	6	•	-	-	-	-	-	-	•	-	-	-	❖210D189	V	-
1	25	11.6	193	0.7	20	16	20	16	20	14	-	-	-	-	-	-	-	•	-	-	❖210B078	-	V	

Asia Pacific Express Catalog-Rev2.0(1/1/2017)





SERIES 210

SPECIFICATIONS

Pipe Size	Orifice Size	Flow Coefficient Kv		Operating Pressure Differential (bar)						Prefix								No Prefix	Catalog Number		Option				
				Max. (PS)						SC	PV	VC	EF/VCEF ⁽³⁾	NF/NFET	JKF	JKH	HT		HB	HC	WP	Brass	Stainless Steel	FPM	EPDM
				Air		Water		Oil																	
NC - Normally closed																									
1 1/4	28	12.8	213	0	9	6	9	6	9	6	●	-	-	-	●	-	-	-	-	●	-	❖210B155	-	V	-
1 1/4	29	13	216	0.3	10	9	10	9	7	9	●	-	●	-	●	●	-	-	-	●	8210G008	-	V	-	
1 1/4	28	12.8	213	0	9	9	9	9	9	9	●	-	-	-	●	-	-	-	-	●	E210D008	-	V	-	
1 1/2	32	19.5	325	0	10	7	9	7	9	6	-	-	●	●	-	-	●	-	-	●	8210G056 ⁽²⁾	-	V	-	
1 1/2	32	19.5	325	0	10	7	9	7	9	6	●	-	-	-	●	-	-	-	-	●	❖210B156	-	V	-	
1 1/2	32	19.5	325	0.3	10	9	10	9	7	9	●	-	●	-	●	●	-	-	-	●	8210G022	-	V	-	
1 1/2	32	19.3	322	0.35	9	9	9	9	9	9	●	-	-	-	●	-	●	-	-	●	❖210D022	-	V	-	
1 1/2	32	19.3	322	0.7	20	16	20	14	20	14	●	-	-	-	●	-	●	-	-	●	❖210B082	-	V	-	
1 1/2	32	19.3	322	0.35	9	9	9	9	9	9	●	-	-	-	●	-	●	-	-	●	-	❖210A127	V	-	
2	44	37	617	0.35	9	3	9	3	6	3	●	-	-	-	●	-	●	-	-	●	❖210-100	-	V	-	
2	44	37	617	0.3	10	6	9	3	3	3	●	-	●	-	●	●	-	-	-	●	8210G100	-	V	-	
Gas shut-off - Normally closed																									
1/2	16	3.1	52	0.3	17	-	-	-	-	-	-	-	●	●	-	-	-	-	-	●	8210G106B	-	-	-	
1/2	16	3.1	52	0	3.4	-	-	-	-	-	●	-	●	●	-	-	●	-	-	●	8210G075	-	-	-	
3/4	16	4.3	72	0	3.4	-	-	-	-	-	●	-	●	●	-	-	●	-	-	●	8210G076	-	-	-	
NO - Normally open																									
1/2	16	3.4	57	0	10	9	10	9	9	6	●	-	●	●	-	●	●	-	●	●	8210G034	-	V	-	
1/2	16	3.4	57	0	9	9	9	9	9	5	●	-	-	-	●	-	●	-	-	●	❖210C034	-	V	-	
1/2	16	2.6	43	0	10	9	10	9	7	6	-	-	-	-	●	-	●	-	-	●	-	❖210B030	V	-	
3/4	16	2.6	43	0	10	9	10	9	7	6	●	-	●	●	-	●	●	-	-	●	8210G038	-	V	-	
3/4	16	2.6	43	0	10	9	10	9	7	6	-	-	-	-	●	-	●	-	-	●	❖210B038	-	V	-	
3/4	19	4.7	79	0	10	9	0	9	9	6	●	-	●	●	-	●	●	-	-	●	8210G035	-	V	-	
3/4	19	4.7	79	0	10	9	10	9	9	6	●	-	-	-	●	-	●	-	-	●	❖210C035	-	V	-	
1	25	11.2	185	0	9	-	9	-	9	-	●	-	-	-	●	-	●	-	-	●	❖210B057	-	-	-	
1	25	11.1	185	0.35	9	9	9	9	9	9	-	-	-	-	●	-	-	-	-	●	8210D014	-	-	-	
1 1/2	32	19.5	325	0.3	10	-	10	-	9	-	●	-	●	●	-	-	-	-	-	●	8210G032	-	-	-	

- Available Express
- (1) DC only
- (2) In case of AC, the standard voltage will be 110V/50 Hz; 120V/60 Hz; 220V/50 Hz; 240V/60 Hz
- (3) Please refer to the page 69 for VCEF installation
- (4) 0.3 bar on Air; 0.0 bar on Water
- (5) Additional Express model: 8210G094HW, ❖210D002MO, 8210G009MO, 8210G009HW & 8210G034VM
- ❖ Stands for options of "B or 8" for NPT port thread and "E" for BSP port thread

Asia Pacific Express Catalog-Rev2.0(1/1/2017)



SOLENOID VALVES

high flow low pressure
aluminum body
1/8" - 3"

NC



NO



2/2

Series

215

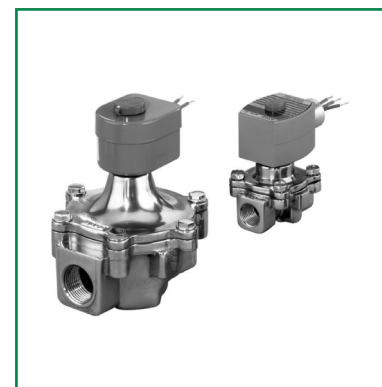
FEATURES

- Lightweight, low-cost valves for air service
- Ideal for low pressure applications
- Provides high flow, Cv up to 138 (Kv 118)
- Air and vacuum service

STANDARD VOLTAGES

DC (=) : 24V

AC (-) : 110V/50Hz-120V/60Hz; 220V/50Hz-240V/60Hz



SPECIFICATIONS

Pipe Size (in)	Orifice Size (mm)	Kv Flow Factor (m ³ /h)	Gas Capacity Btu/hr	Operating Pressure Differential (bar)			Max. Fluid Temp. °C		Prefix		No Prefix	Catalog Number
				Min.	Max. AC Air-Fuel Gas	Max. DC Air-Fuel Gas	AC	DC	EF/VCEF ⁽¹⁾	HT		
NC - Normally closed (Closed when de-energized)												
1/2	19	3.8	238500	0	3.4	1.7	52	40	•	•	•	8215G020
3/4	19	4.4	247500	0	3.4	1.7	52	40	•	•	•	8215G030
1	41	18	1119000	0	1.7	-	52	-	-	•	•	8215B050
1	41	18	1119000	0	1.7	1.7	52	25	•	-	•	8215G050 ⁽³⁾
1	41	18	1119000	0	0.3	-	52	-	•	-	•	X8215G050 ⁽²⁾⁽³⁾
1 1/2	53	51	3251000	0	1.7	-	52	-	-	•	•	8215B070
1 1/2	53	51	3251000	0	1.7	1	52	25	•	•	•	8215G070 ⁽³⁾
1 1/2	53	51	3251000	0	0.3	-	52	-	•	•	•	X8215G070 ⁽²⁾⁽³⁾
2	53	51	3251000	0	1.7	-	52	-	-	•	•	8215B080
2	53	51	3251000	0	1.7	1	52	25	•	•	•	8215G080 ⁽³⁾
2	53	51	3251000	0	0.3	-	52	-	•	•	•	X8215G080 ⁽²⁾⁽³⁾
NO - Normally open (Open when de-energized)												
1/2	19	3.4	206250	0	8.6	8.6	52	40	•	•	•	8215G023
3/4	19	3.9	247500	0	8.6	8.6	52	40	•	•	•	8215G033
1 1/2	41	32	1988250	0	1.7	1	52	25	-	-	-	8215C073
1 1/2	41	32	1988250	0	1.7	1	52	25	•	-	•	8215G073 ⁽³⁾

• Available Express

(1) Please refer to the page 69 for VCEF installation

(2) Available option: TPL 24080 for low pressure gas & TPL 24047 for KOSHA approval

(3) In case of AC, the standard voltage will be 110V/50 Hz; 120V/60 Hz; 220V/50 Hz; 240V/60 Hz



HOT WATER AND STEAM VALVES

Brass or Stainless Steel Bodies
1/8" - 2 1/2" NPT

2/2
Series
220

FEATURES

- Hot water service to 210 psi differential @ 210°F;
Steam service to 125 psi differential @ 353°F
- Specify these valves for the high-temperature applications found in laundries, molding, steam atomization, sterilizers, autoclaves, and many others
- Pilot operated diaphragm valves
- Pilot operated diaphragm and piston valves; floating PTFE diaphragms or stainless steel pistons with EPDM or PTFE discs, available in both AC & DC voltages



STANDARD VOLTAGES

AC (-) : 110V/50Hz-120V/60Hz; 220V/50Hz-240V/60Hz

SPECIFICATIONS

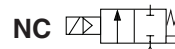
Pipe Size (in)	Orifice Size (mm)	Kv Flow Factor (m ³ /h)	Operating Pressure Differential (bar)				Max. Fluid Temp. °C				No Prefix	Catalog Number	
			Min.	Max. AC		Max. DC		AC		DC			
				Steam	Hot Water	Steam	Hot Water	Steam	Hot Water	Steam		Hot Water	Brass Body
Steam/Hot water service - Pilot operated - Normally closed (Closed when de-energized)													
1/2	16	4	0.3	9	10	-	-	177	98	-	-	●	8220G021
3/4	19	7.5	0.3	9	10	-	-	177	98	-	-	●	8220G023
1	25	11.57	0.3	9	10.3	-	-	178	99	-	-	●	8220G025

- Available Express



SOLENOID VALVES

high pressure
brass or stainless steel bodies
1/4" - 3/4"



2/2
Series
223

FEATURES

- Rugged piston construction built to withstand pressure ratings to 1500 psi
- Angle body design for high flows
- Ideal for high-pressure water applications, such as car washes
- Mountable in any position



STANDARD VOLTAGES

DC (=) : 24V
 AC (-) : VC, EF/VCEF, Redhat II 110V/50Hz-120V/60Hz; 220V/50Hz-240V/60Hz
 SC, NF 115V/50Hz; 120V/60 Hz; 230V/50Hz

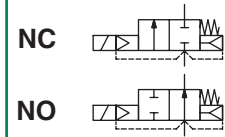
SPECIFICATIONS

Pipe Size (in)	Orifice Size (mm)	Kv Flow Factor (m ³ /h)	Operating Pressure Differential (bar)							Max. Fluid Temp. °C		Prefix					No Prefix	Catalog Number	
			Min.	Max. AC			Max. DC			AC	DC	SC	VC	EF/VCEF ⁽¹⁾	NF/NFET	HB		Brass	Stainless Steel
				Air-Inert Gas	Water	Light Oil @ 300 SSU	Air-Inert Gas	Water	Light Oil @ 300 SSU										
NC - Normally closed (Closed when de-energized)																			
3/8	8	1.3	0.7	52	52	52	28	28	28	93	65	-	-	•	-	-	•	8223G023	-
1/2	10	2.7	1.7	103	103	103	34	34	34	93	65	-	•	•	-	•	•	8223G003	-
1/2	9	2.7	1.8	100	100	100	35	35	35	90	90	-	-	-	•	-	-	-	B223A010
1/2	10	2.7	1.7	103	103	103	34	34	34	93	65	•	•	•	-	•	•	-	8223G010
3/4	19	6.7	1.8	50	50	50	20	20	20	90	90	-	-	-	•	-	-	B223B005	-
3/4	19	6.7	1.7	52	52	52	31	31	31	93	65	•	-	-	-	-	•	8223G005	-
3/4	19	6.7	1.8	50	50	50	20	20	20	90	90	-	-	-	•	-	-	-	B223A012
3/4	19	6.7	1.7	52	52	52	31	31	31	93	65	-	-	•	-	-	•	-	8223G012

• Available Express
 (1) Please refer to the page 69 for VCEF installation



SOLENOID VALVES
pilot operated, floating diaphragm
brass body
3/8" - 2"



2/2
Series
238

FEATURES

- Minimum operating pressure differential ΔP 0.3/0.5 bar
- Two way valves for automatic control of water, air and inert gas and other gases/liquids compatible with the sealing materials used
- Interchangeability of magnetic heads, AC and DC
- The solenoid valves satisfy all relevant EC Directives



STANDARD VOLTAGES

DC (=) : 24V
AC (-) : 115V/50Hz-120V/60Hz; 230V/50-60Hz

SPECIFICATIONS

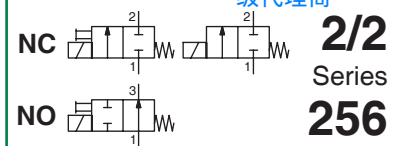
Pipe Size	Orifice Size	Flow Coefficient Kv		Operating Pressure Differential (bar)			Power Coil (W)		Prefix	Catalog Number		Option	
				Min.	Max. (PS)		~	=		SC	Brass	Stainless Steel	Maintained Man.Operator
(mm)	(m ³ /h)	(l/min)	~		=	~			=				
NC - Normally closed													
3/8	12.5	2.1	35	0	10	10	6	15.3	●	G238A044 ⁽¹⁾	-	-	V
1/2	12.5	2.1	35	0	10	10	6	15.3	●	G238A046 ⁽¹⁾	-	-	V
3/4	19	4.5	75	0	10	10	6	15.3	●	G238A048 ⁽¹⁾	-	-	V
1	25	10	166	0	10	10	9	15.3	●	G238A050 ⁽¹⁾	-	-	V
3/8	12	2.4	40	0.3	10	10	4	6.9	●	E238D001	-	-	V
3/8	13.5	2.5	41.7	0.35	12	12	4	6.9	●	-	G238D101V	MO	E
1/2	12	2.4	40	0.3	10	10	4	6.9	●	E238D002	-	-	V
1/2	13.5	3.8	63.3	0.35	12	12	4	6.9	●	-	G238D102V	MO	E
1/2	15	4.2	70	0.3	10	10	4	6.9	●	E238D003	-	-	V
3/4	20	6.6	110	0.3	10	10	4	6.9	●	E238D004	-	-	V
3/4	18	5	83.3	0.35	10	10	4	6.9	●	-	G238D103V	MO	E
1	25	9.9	165	0.3	10	10	4	6.9	●	E238D005	-	-	V
1	24	12	200	0.35	10	10	4	6.9	●	-	G238D104V	MO	E
3/8	12	2.4	40	0.3	16	16	5	6.9	●	E238D006	-	-	V
1/2	12	2.4	40	0.3	16	16	5	6.9	●	E238D007	-	-	V
1/2	15	4.2	70	0.3	16	16	5	6.9	●	E238D008	-	-	V
3/4	20	6.6	110	0.3	16	16	5	6.9	●	E238D009	-	-	V
1	25	9.9	165	0.3	16	16	5	6.9	●	E238D010	-	-	V
1 1/4	30	15	250	0.5	10	10	8	9	●	G238F016 ⁽²⁾	-	-	V
1 1/2	45	27	450	0.5	10	10	8	9	●	G238F017 ⁽²⁾	-	-	V
2	45	34	566	0.5	10	10	8	9	●	G238F018 ⁽²⁾	-	-	V
NO - Normally open													
3/8	13.5	2.5	41.7	0.35	12	12	4	6.9	●	-	G238D105V	MO	E
1/2	13.5	3.8	63.3	0.35	12	12	4	6.9	●	-	G238D106V	MO	E
3/4	18	5	83.3	0.35	10	10	4	6.9	●	-	G238D107V	MO	E
1	24	12	200	0.35	10	10	4	6.9	●	-	G238D108V	MO	E
1 1/4	30	15	250	0.5	10	10	12.5	9	●	G238E019 ⁽²⁾	-	-	-
1 1/2	45	27	450	0.5	9	9	12.5	9	●	G238E020 ⁽²⁾	-	-	-
2	45	34	566	0.5	9	9	12.5	9	●	G238E021 ⁽²⁾	-	-	-

● Available Express
(1) In case of AC, the standard voltage will be 115/50 Hz; 120V/60 Hz; 230V/50 Hz
(2) In case of AC, the standard voltage will be 220V/50 - 240V/60 Hz



SOLENOID VALVES

direct operated
brass or stainless steel bodies
1/8" - 1/4"



FEATURES

- Wide range of flow and pressure ratings
- Quick disassembly of core tube for easy maintenance of internal parts
- Standard disc seal made of FPM suitable for a wide range of operating temperatures and compatible with many fluids
- Standard manual operator allows an easy installation (Except 4 and 5 mm orifice sizes)
- AC/DC interchangeability of the solenoid without disassembly of the valve
- Compact and low weight valve



STANDARD VOLTAGES

DC (=) : 24V

AC (-) : 115V/50Hz-120V/60Hz; 230V/50-60Hz

SPECIFICATIONS

Pipe Size	Orifice Size	Flow Coefficient Kv		Operating Pressure Differential (bar)								Power Coil (W)		Prefix			Catalog Number		Options
				Min.	Max. (PS)						Brass						Stainless Steel		
					Air	Water	Oil	~	=	~								=	
G	(mm)	(m³/h)	(l/min)		~	=	~	=	~	=	~	=	SC	PV	U	~/=	~/=		
NC - Normally closed																			
1/8	1.2	0.05	0.8	0	28	20	28	20	28	20	4	6.9	•	-	-	G256B001V	-	MS	
1/8	1.6	0.08	1.33	0	20	12	20	12	20	12	4	6.9	•	-	•	-	8256B014V	-	
1/8	1.6	0.08	1.33	0	20	12	20	12	20	12	4	6.9	•	-	-	G256B002V	G256B014V	MS	
1/8	2	0.11	1.83	0	15	6	15	6	15	6	4	6.9	•	-	-	G256B003V	-	-	
1/8	2	0.11	1.83	0	15	6	15	6	15	6	4	6.9	•	-	-	-	G256B015V	MS	
1/8	2.4	0.13	2.16	0	12	4	12	4	12	4	4	6.9	•	-	-	G256B004V	-	-	
1/8	2.4	0.13	2.16	0	12	4	12	4	12	4	4	6.9	•	-	•	-	8256B016V	-	
1/8	2.4	0.13	2.16	0	12	4	12	4	12	4	4	6.9	•	-	-	-	G256B016V	MS	
1/4	1.6	0.08	1.33	0	20	12	20	12	20	12	4	6.9	•	•	-	-	G256A414V ⁽¹⁾	-	
1/4	1.6	0.08	1.33	0	20	12	20	12	20	12	4	6.9	•	-	-	-	8256B414V	-	
1/4	1.6	0.08	1.33	0	20	12	20	12	20	12	4	6.9	•	-	-	G256B402V	G256B414V	MS	
1/4	1.6	0.08	1.33	0	20	15	20	15	20	15	5	6.9	•	-	-	G256B466V	-	MS	
1/4	1.6	0.08	1.33	0	20	15	20	15	20	15	5	6.9	•	-	-	-	8256B434V	-	
1/4	1.6	0.08	1.33	0	20	15	20	15	20	15	5	6.9	•	-	-	-	G256B434V	MS	
1/4	2.4	0.16	2.67	0	12	4	12	4	12	4	4	6.9	•	-	-	G256B404V	G256B416V	MS	
1/4	2.4	0.16	2.67	0	15	8	15	8	15	8	5	6.9	•	-	-	G256B470V	G256B436V	MS	

• Available Express

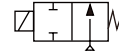
(1) TPL 24071: 256 series with lower rating PV coil 3 watt



SOLENOID VALVES

direct operated
brass or stainless steel bodies
1/8" - 3/8"

NO



2/2

Series

262

FEATURES

- Reliable, proven design with high flows
- Small poppet valves for tight shutoff
- Wide range of elastomers for specialty service
- Mountable in any position
- Brass and stainless steel constructions



STANDARD VOLTAGES

DC (=) : 24V
AC (-) : SC, EF/VCEF, Redhat II 110V/50Hz-120V/60Hz; 220V/50Hz-240V/60Hz
NF, WP 115V/50Hz; 120V/60Hz; 230V/50Hz

SPECIFICATIONS

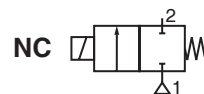
Pipe Size (in)	Orifice Size (mm)	Kv Flow Factor (m³/h)	Operating Pressure Differential (bar)						Max. Fluid Temp °C		Prefix						No Prefix	Catalog Number	
			Max AC @ 55°C			Max DC @ 55°C			AC	DC	SC	EF/VCEF ⁽¹⁾	NF/NFET	JKF/JKH	HT	WP		Brass	Stainless Steel
			Air-Inert Gas	Water	Lt. Oil @300 SSU	Air-Inert Gas	Water	Lt. Oil @300 SSU											
NC - Normally closed																			
1/8	3.2	0.3	11	12	9	5	5	5	90	90	-	-	•	-	-	•	-	❖262C002	-
1/8	3.2	0.3	13	12	8	8	7	6	82	82	•	•	-	-	-	-	•	8262H002	-
1/4	2.4	0.17	25	25	11	10	8	8	90	90	•	-	•	-	•	•	-	❖262C020	-
1/4	3.2	0.3	9	11	6	4	4	4	90	90	•	-	•	-	-	•	-	❖262C022	-
1/4	3.2	0.3	20	20	13	5.0	4.0	4.0	90	90	-	-	•	-	-	•	-	❖262D232	-
1/4	4	0.43	12	13	10	2.5	2.5	3	90	90	-	-	•	-	-	•	-	❖262C202	-
1/4	4	0.45	14	14	10	4	4	4	82	82	•	•	-	•	•	-	•	8262H202	-
1/4	5.6	0.63	7	7	7	2	2	2	82	82	•	•	-	•	•	-	•	8262H208	-
1/4	5.6	0.63	6.5	6.5	6.5	1.7	1.7	1.7	90	90	•	-	•	-	-	•	-	❖262C208	-
1/4	7	0.75	6	6.5	6	1.7	1.3	1.3	90	90	-	-	•	-	-	•	-	❖262B212	-
1/4	2.4	0.15	25	23	11	10	8	8	90	90	-	-	•	-	•	•	-	-	❖262C086
1/4	3.2	0.3	9	11	8	4	4	4	90	90	-	-	•	-	-	•	-	-	❖262C007
1/4	3.2	0.3	13	12	6	8.0	7.0	6.0	82	82	•	•	-	-	-	-	•	-	8262H007
1/4	4	0.43	12	13	10	2.5	2.5	3	90	90	-	-	•	-	-	•	-	-	❖262C220
1/4	4	0.45	14	14	10	-	-	-	82	-	•	•	-	•	•	-	•	-	8262H220
1/4	5.6	0.62	6.5	6.5	6.5	1.7	1.7	1.7	90	90	-	-	•	-	-	•	-	-	❖262C226
1/4	5.6	0.73	2.5	3	2.5	1.2	1.3	1.3	90	90	-	-	•	-	-	•	-	-	❖262C036
NO - Normally open																			
1/4	1.2	0.05	52	52	52	45	39	28	82	82	•	•	-	•	•	-	•	❖262H260	-
1/4	2.4	0.17	20	17	16	13	10	8	40	40	-	-	•	-	-	•	-	-	❖262A134
1/4	2.4	0.18	19	16	12	11	9	7	82	82	•	•	-	•	•	-	•	-	❖262H261
1/4	3.2	0.3	9	7	6.5	5.5	4	4	90	90	-	-	•	-	-	•	-	-	❖262A138
1/4	3.2	0.3	11	10	9	7	7	5	82	82	•	•	-	•	•	-	•	-	❖262H138
1/4	4	0.43	5.5	5	4	3	3	3	90	90	-	-	•	-	-	•	-	-	❖262A263

• Available Express
(1) Please refer to the page 69 for VCEF installation
❖ Stands for options of "B or 8" for NPT port thread and "E" for BSP port thread



PLASTIC VALVE MANIFOLD

diaphragm mechanism, fluid isolation
M6 & 1/4 - 28 UNF



Series
X282

FEATURES

- Solenoid valves for medical analysers, biotechnology and chemical industry
- Any application where the fluid may not come into contact with the electromagnetic control section of the solenoid valves
- The solenoid valves are ideal for controlling aggressive fluids and have easy to flush internal cavities



STANDARD VOLTAGES

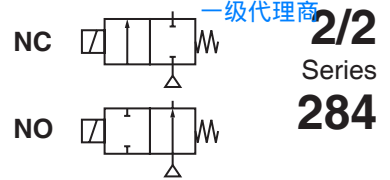
DC (=) : 12V-24V

SPECIFICATIONS

Pipe Size	Orifice Size	Flow Coefficient Kv		Operating Pressure Differential (bar)			Power Coil (W)	Catalog Number
				Min.	Max. (PS)			
					Air, Inert Gases	Liquids		
(mm)	(m ³ /h)	(l/min)	=	=	=			
NC - Normally closed								
X282 8-stations 24DC, blind hole, M6, 8°FPM	1.5	0.04	0.66	0	2	2	2.5	X282433248001F1
X282 8-stations 24DC, blind hole, M6, 5°FPM, 3°FPPM (1,2,3)								X282433248002F1
X282 8-stations 24DC, through hole, 1/4-28, 8°FPM								X282433248003F1
X282 8-stations 24DC, through hole, 1/4-28, 7°FPM, 1°FPPM (1)								X282433248004F1
X282 8-stations 24DC, blind hole, 1/4-28, 7°FPM, 1°FPPM (1)								X282433248006F1
X282 8-stations 24DC, through hole, 1/4-28, 8°FPPM								X282433248008F1
X282 8-stations 24DC, blind hole, M6, 5°FPM, 3°FPPM (4,5,6)								X282433248010F1
X282 8-stations 24DC, through hole, 1/4-28, 7°FPM, 1°FPPM (4)								X282433248011F1
X282 8-stations 24DC, blind hole, 1/4-28, 8°FPM								X282433248012F1
X282 8-stations 24DC, blind hole, 1/4-28, 5°FPM, 3°FPPM (1,2,3)								X282433248013F1
X282 8-stations 24DC, blind hole, 1/4-28, 8°FPPM								X282433248015F1
X282 4-stations 12DC, blind hole, 5*1/4-28, FPM diaphragm, PVDF valve body								X282433251001F3
X282 4-stations 24DC, blind hole, 5*1/4-28, FPM diaphragm, PVDF valve body, 2.5W								X282433251007F1

PINCH SOLENOID VALVE

pinch mechanism
for flexible tube
O.D. 3.2 mm



FEATURES

- Solenoid valve suitable for cutting off the flow of a fluid by pinch
- For sterile, aseptic, physiological and food applications
- No turbulence or gap when cutting off flow by pinch
- Silent operation
- Full bore output flow compared with a traditional solenoid valve
- Manual pulse control for fitting tube
- A single component in contact with the fluid, i.e. the tube
- Bi-directional flow
- The tubings are included in our supply, 30cm length
- The solenoid valves satisfy all relevant EC directives



STANDARD VOLTAGES

DC (⇒) : 12V-24V

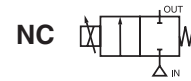
SPECIFICATIONS

Tube I.D. (mm)	Tube O.D. (mm)	Pinch Force (daN)	Operating Pressure Differential (bar)		Power Coil (W)		Mounting Flange (mm)	Catalog Number	
			Min.	Max. (PS)		~			=
				Air Inert Gas (*)	Liquids (*)				
1.6	3.2	0.28	0	=	=	-	=	26	=
1.6	3.2	0.6	0	1.5	1.5	-	2.8	26	P284A020LCA00V1 P284A020LCA00V3 P284A021LCA00V1 ⁽¹⁾ P284A021LCA00V3 ⁽¹⁾ P284A022LCA00V1 P284A022LCA00V3 P284A023LCA00V1 ⁽¹⁾ P284A023LCA00V3 ⁽¹⁾
1.6	3.2	0.6	0	1.5	1.5	-	2.8	33	P284A026LCA00V1 P284A026LCA00V3 P284A027LCA00V1 ⁽¹⁾ P284A027LCA00V3 ⁽¹⁾ P284A028LCA00V1 P284A028LCA00V3 P284A029LCA00V1 ⁽¹⁾ P284A029LCA00V3 ⁽¹⁾
1.6	3.2	0.28	0	1.5	1.5	-	2.8	33	P284A028LCA00V1 P284A028LCA00V3 P284A029LCA00V1 ⁽¹⁾ P284A029LCA00V3 ⁽¹⁾

(1) The flange is rotatable with 90°



SOLENOID VALVES
proportional direct operated
for vapour recovery regulating applications
1/4" - 3/4"



FEATURES

- The proportional solenoid valves can handle a variable flow of fuel vapour, proportional to the control signal
- The high quality FPM disc core construction guarantees a long operating life and a wide temperature range
- Explosion proof operator, intended for use in potentially explosive areas, according to Directive ATEX 2014/34/EU
- Easy electrical installation by means of the moulded-in supply cable, standard length of 2 meter
- ASCO Numatics components satisfy all relevant EC directives



STANDARD VOLTAGES

DC (⇒) : 24V

SPECIFICATIONS

Pipe Size	Orifice Size	Flow Coefficient Kv		Operating Pressure Differential (bar)		Catalog Number
				Min	Max. PS	
G	(mm)	(m ³ /h)	(l/min)	=		
NC - Normally closed						
1/4	5.6	0.73	12.2	0	1	PVG291A210
1/4	5.6	0.73	12.2	0	1	PVXG291A210 TPL24069 ⁽¹⁾
3/4	20	3.9	65	0.3	3.5	PVXG291A111 TPL26688 ⁽²⁾

- Available Express
- (1) 5 watts coil with 3m cable, PTFE disc & FPM O-ring
- (2) The outlet is perpendicular to the inlet

PETROL VENDING VALVES



dual stage
3/4" - 1"

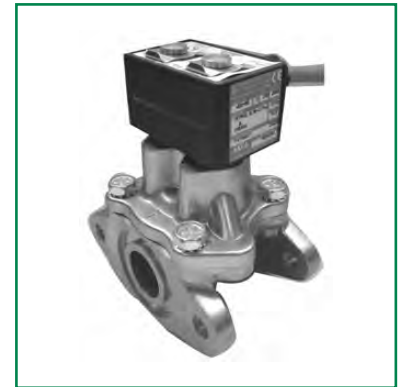
NC



2/2
Series
292

FEATURES

- The normally closed petrol dispensing valves are especially designed to meet the particular needs for the fuel dispensers
- Valve offers three flow positions, i.e. full flow, low flow, and shut off
- Minimum operating differential pressure 0.35 bar
- Explosion proof operator, intended for use in potential explosive areas, according to Directive ATEX 2014/34/EU
- Easy electrical installation by means of the moulded-in supply cable, standard length 2 meter
- ASCO Numatics components satisfy all relevant EC directives
- Can resist M15 and E20 Petrol



STANDARD VOLTAGES

AC (-) : 220V/50-60Hz

SPECIFICATIONS

Pipe Size	Orifice Size	Flow Coefficient Kv				Operating Pressure Differential (bar)			Catalog Number
		Low		High		Min	Max. PS		
T	(mm)	(m ³ /h)	(l/min)	(m ³ /h)	(l/min)			~	=
NC - Normally closed									
3/4	2.5	0.1	1.7	4.3	72	0.35	2.7	2.7	PVT29227 ⁽¹⁾⁽³⁾⁽⁴⁾
1	25	0.12	2	11.5	192	0.35	3.5	3.5	PVT292B25 ⁽²⁾

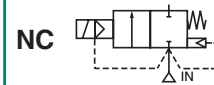
• Available Express

- (1) TPL 24004 also available
- TPL 24035 also available
- TPL 24043 also available
- TPL 24015 also available
- (2) TPL 24037 also available
- (3) TPL 24035+24043 also available
- (4) TPL 24004+24043 also available



PULSE VALVES

aluminium body
3/4" - 3 1/2"



2/2
Series
353

FEATURES

- The diaphragm pulse valves are especially designed for dust collector service applications, combining high flow, long life and extremely fast opening and closing to produce reliable and economical operation
- The high flow, angle type bodies, springless construction, in combination with the special diaphragm assemblies give the unique operating features required for dust collector service applications
- Integral compression fittings for fast, easy, secure installation
- Built-in silencers reduce noise and prevent foreign particles from entering the valve
- The integral operators are provided with epoxy moulded F-class coils. Various optional waterproof and explosionproof solenoids for use in potentially explosive atmospheres (gas & dust) according to Directive ATEX 2014/34/EU can be mounted on the same basic valve
- The valves satisfy all relevant EC directives



STANDARD VOLTAGES

DC (=) : 24V
AC (-) : SC, EF/VCEF 110V/50Hz-120V/60Hz; 220V/50Hz-240V/60Hz
NF/WSNF 115V/50Hz; 120V/60Hz; 230V/50Hz

SPECIFICATIONS

Pipe Size	Orifice Size (mm)	Flow Coefficient Kv (m ³ /h) (l/min)		Operating Pressure Differential (bar)			Prefix				Catalog Number	
				Min.	Max. (PS)		SC	EF/VCEF ⁽²⁾	NF/WSNF	NFET/WSNFET	Aluminium	Stainless Steel
					~	=						
Remote pilot (G - Threaded pipe connection)												
3/4	24	14	233	0.35	8.5	8.5					G353A041	G353A130
1	27	17	283	0.35	8.5	8.5					G353A042	G353A131
1 1/2	52	46	768	0.35	8.5	8.5					G353A046	-
Remote pilot (Ø - Compression fitting pipe connection)												
3/4	24	14	283	0.35	8.5	8.5					G353.055	-
1	27	17	283	0.35	8.5	8.5					G353.056	-
Integral pilot (G - Threaded pipe connection)												
3/4	24	14	233	0.35	8.5	8.5	-	-	•	•	G353A043	G353D132
3/4	24	14	233	0.35	8.5	8.5	•	•	-	-	G353G043	G353G132
1	27	17	283	0.35	8.5	8.5	-	-	•	•	G353A044	G353D133
1	27	17	283	0.35	8.5	8.5	•	•	-	-	G353G044	G353G133
1 1/2	52	44	733	0.35	8.5	8.5	•	•	-	-	G353G047	G353G134
1 1/2	52	44	733	0.35	8.5	8.5	-	-	•	•	G353A047	G353D134
2	66	77	1290	0.35	8.5	8.5	-	-	•	•	G353A050 ⁽¹⁾	-
2	66	77	1290	0.35	8.5	8.5	•	•	-	-	G353G050	-
2 1/2	66	92	1540	0.35	8.5	8.5	-	-	•	•	G353A051 ⁽¹⁾	-
2 1/2	66	92	1540	0.35	8.5	8.5	•	•	-	-	G353G051	-
3	76	170	2833	1	6	6	•	-	-	-	G353G060	-
3	75	170	2833	1	6	6	-	-	•	•	G353.060	-
Integral pilot (Ø - Compression fitting pipe connection)												
3/4	24	14	233	0.35	8.5	8.5	•	•	-	-	G353G052	-
3/4	24	14	233	0.35	8.5	8.5	-	-	•	•	G353.052	-
1	27	17	283	0.35	8.5	8.5	-	-	•	•	G353.053	-
1	27	17	283	0.35	8.5	8.5	•	•	-	-	G353G053	-
1 1/2	52	44	733	0.35	8.5	8.5	-	-	•	•	G353A065	-
1 1/2	52	44	733	0.35	8.5	8.5	•	•	-	-	G353G065	-
Tank mounted version												
3	75	170	2833	1	6	6	•	•	-	-	R353G060	-
3	76	210	3500	1	6	6	•	•	-	-	R353G230	-
3 1/2	90	280	4667	1	6	6	•	•	-	-	R353G235	-

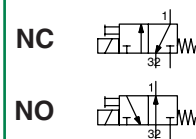
- Available Express
- (1) TPL 18535 also available
- (2) Please refer to the page 69 for VCEF installation





SOLENOID VALVES

direct operated
brass or stainless steel bodies
1/8" - 1/4"



2/2
Series
356

FEATURES

- Compact design for the control of single-acting actuators or filling and draining cycles
- Wide range of flow and pressure ratings
- Quick disassembly of core tube for easy maintenance of internal parts
- Standard disc seal made of FPM suitable for a wide range of operating temperatures and compatible with many fluids
- Standard manual operator allows an easy installation
- AC/DC interchangeability of the solenoid without disassembly of the valve
- Compact and low weight valve



STANDARD VOLTAGES

DC (=) : 24V

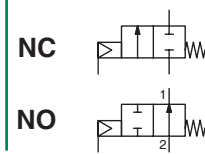
AC (-) : 115V/50Hz-120V/60Hz; 230V/50-60Hz

SPECIFICATIONS

Pipe Size	Orifice Size	Flow Coefficient Kv				Operating Pressure Differential (bar)			Power Coil (W)		Prefix		Catalog Number		Options
		2 → 1		3 → 1		Min.	Max. (PS)		~	=	SC	U	Brass	Stainless Steel	
		(m³/h)	(l/min)	(m³/h)	(l/min)		~	=							
G	(mm)	(m³/h)	(l/min)	(m³/h)	(l/min)										
NC - Normally closed															
1/8	1.2	0.05	0.8	0.05	0.8	0	15	15	4	6.9	●	-	8356B001V	-	-
1/8	1.2	0.05	0.8	0.05	0.8	0	15	15	4	6.9	●	-	G356B001V	-	MS
1/8	1.6	0.08	1.33	0.05	0.8	0	10	10	4	6.9	●	-	G356B002V	-	MS
1/8	2	0.1	1.66	0.05	0.8	0	5	5	4	6.9	●	-	G356B003V	-	MS
1/8	1.2	0.05	0.8	0.05	0.8	0	15	15	4	6.9	●	-	-	8356B013V	-
1/8	2	0.1	1.66	0.05	0.8	0	5	5	4	6.9	●	-	-	G356B015V	MS
1/8	2.4	0.13	2.1	0.05	0.8	0	4	4	4	6.9	●	-	G356B004V	-	-
1/8	2.4	0.13	2.1	0.05	0.8	0	4	4	4	6.9	●	●	-	8356B016V	-
1/8	2.4	0.13	2.1	0.05	0.8	0	4	4	4	6.9	●	-	-	G356B016V	MS
1/4	1.6	0.08	1.33	0.05	0.8	0	10	10	5	6.9	●	-	-	8356B434V	-
1/4	1.6	0.08	1.33	0.05	0.8	0	10	10	5	6.9	●	-	G356B466V	G356B434V	MS
1/4	2.4	0.16	2.67	0.05	0.8	0	4	4	5	6.9	●	-	G356B470V	G356B436V	MS
NO - Normally open															
1/8	1.2	0.05	0.8	0.05	0.8	0	8.5	8.5	4	6.9	●	-	8356B005V	-	-
1/8	1.6	0.096	1.6	0.05	0.8	0	8.5	8.5	4	6.9	●	-	G356B006V	-	MS
U - Universal															
1/8	1.2	0.05	0.8	0.05	0.8	0	7	7	4	6.9	●	●	8356B009V	-	-

● Available Express

ANGLE SEATED VALVES

stainless steel body
3/8" - 2 1/2"2/2
Series
E290

FEATURES

- High flow due to angled seat design
- Anti-waterhammer design (fluid entry under the disc)
- Vacuum operation up to 10-2 mbar
- Wide range of piston-type operators (32 - 50- 63 - 90 -125 mm dia.) rotatable through 360°, for maximum performance at different minimum pilot pressures
- High performance, maintenance-free stuffing box
- The valves satisfy Pressure Equipment Directive 97/23/EC, category 1 (DN > 25) or article 3.3(DN ≤ 25)



SPECIFICATIONS

Piping (ISO 6708)		Flow Coefficient Kv		Pilot Pressure (bar)		Operating Pressure Differential (bar)				Operator Diameter (mm)	Catalog Number	Suffix
Pipe Size (G°)	DN	(m³/h)	(l/min)	Min.	Max.	Min.	Max.					
								Air, Inert gas, Aggressive Fluids	Water, Oil, Liquids, Aggressive Liquids	Steam (≤184°C)		Stainless steel
NC - Normally closed, entry under the disc⁽¹⁾												
3/8	10	2.8	47	4	10	0	16	16	10	32	E290A791	VI
1/2	15	4.1	68	4	10	0	12	12	10	32	E290A792	VI
1/2	15	4.9	82	4	10	0	16	16	10	50	E290A393	VI
1/2	15	4.9	82	2.5	10	0	16	16	10	63	E290B045	-
3/4	20	6.5	108	4	10	0	6	6	6	32	E290A793	VI
3/4	20	9.4	157	4	10	0	10	10	10	50	E290A394	VI
3/4	20	9.4	157	4	10	0	16	16	10	63	E290B048	-
3/4	20	9.4	157	2.5	10	0	12	12	10	63	E290B047	-
1	25	12.8	213	4	10	0	6	6	6	50	E290A395	VI
1	25	16.5	275	4	10	0	10	10	10	63	E290B053	-
1	25	16.5	275	4	10	0	16	16	10	90	E290B054	-
1	25	16.5	275	2.5	10	0	6	6	6	63	E290B051	-
1	25	16.5	275	2.5	10	0	12	12	10	90	E290B052	-
1 1/4	32	27	450	2.5	10	0	3	3	3	63	E290A057	-
1 1/4	32	27	450	2.5	10	0	7	7	7	90	E290A058	-
1 1/4	32	27	450	4	10	0	6	6	6	63	E290A059	-
1 1/4	32	27	450	4	10	0	12	12	10	90	E290A060	-
1 1/2	40	45	750	4	10	0	4	4	4	63	E290A063	-
1 1/2	40	45	750	4	10	0	8	8	8	90	E290A064	-
1 1/2	40	45	750	2.5	10	0	4	4	4	90	E290A062	-
2	50	59	983	4	10	0	2.5	2.5	2.5	63	E290A067	-
2	50	59	983	4	10	0	6	6	6	90	E290A068	-
2 1/2	65	94	1567	4	10	0	2	2	2	90	E290A500	-
NO - Normally open, entry under the disc												
3/8	10	2.8	47	IX (*)	10	0	16	16	10	32	E290A794	VI
1/2	15	4.1	68	IX (*)	10	0	16	16	10	32	E290A795	VI
1/2	15	4.9	82	I (*)	10	0	16	16	10	50	E290A396	VI
1/2	15	4.9	82	II (*)	10	0	16	16	10	63	E290B069	-
3/4	20	6.5	108	IX (*)	10	0	16	16	10	32	E290A796	VI
3/4	20	9.4	157	I (*)	10	0	16	16	10	50	E290A397	VI
3/4	20	9.4	157	II (*)	10	0	16	16	10	63	E290B070	-
1	25	16.5	275	II(*)	10	0	16	16	10	63	E290B071	-
1	25	16.5	275	III(*)	10	0	16	16	10	90	E290B072	-
1 1/4	32	27	450	II (*)	10	0	16	16	10	63	E290A073	-
1 1/4	32	27	450	III (*)	10	0	16	16	10	90	E290A074	-
1 1/2	40	45	750	II (*)	10	0	11	11	10	63	E290A075	-
1 1/2	40	45	750	III (*)	10	0	16	16	10	90	E290A076	-
2	50	59	983	II (*)	10	0	7	7	7	63	E290A077	-
2	50	59	983	III (*)	10	0	13	13	10	90	E290A078	-
2 1/2	65	94	1567	III (*)	10	0	7	7	7	90	E290A504	-

Express delivery



tel : 051087222301

fax : 051087222302

谢才强18061566883

www.wxazdh.com



SERIES E290

SPECIFICATIONS

Piping (ISO 6708)		Flow Coefficient Kv		Pilot Pressure (bar)		Operating Pressure Differential (bar)				Operator Diameter	Catalog Number	Suffix
Pipe Size (G*)	DN	(m ³ /h)	(l/min)	Min.	Max.	Min.	Max.					
							Air, Inert gas, Aggressive Fluids	Water, Oil, Liquids, Aggressive Liquids	Steam (≤184°C)	(mm)	Stainless steel	
NC - Normally closed, entry above the disc (version recommended for rapid-cycling steam applications)												
3/8	10	2.8	47	X (*)	10	0	10	-	10	32	E290A797	VI
1/2	15	4.1	68	X (*)	10	0	10	-	10	32	E290A798	VI
1/2	15	4.9	82	V (*)	10	0	10	-	10	50	E290A399	VI
1/2	15	4.9	82	VI (*)	10	0	10	-	10	63	E290B079	-
3/4	20	6.5	108	X (*)	10	0	10	-	10	32	E290A799	VI
3/4	20	9.4	157	V (*)	10	0	10	-	10	50	E290A400	VI
3/4	20	9.4	157	VI (*)	10	0	10	-	10	63	E290B080	-
1	25	12.8	213	V (*)	10	0	10	-	10	50	E290A401	VI
1	25	16.5	275	VI (*)	10	0	10	-	10	63	E290B081	-
1 1/4	32	27	450	VI (*)	10	0	10	-	10	63	E290A082	-
1 1/4	32	27	450	VII (*)	10	0	10	-	10	90	E290A137	-
1 1/2	40	45	750	VI (*)	10	0	10	-	10	63	E290A083	-
1 1/2	40	45	750	VII (*)	10	0	10	-	10	90	E290A084	-
2	50	59	983	VI (*)	10	0	9	-	9	63	E290A085	-
2	50	59	983	VII (*)	10	0	10	-	10	90	E290A086	-
2 1/2	65	94	1567	VII (*)	10	0	10	-	10	90	E290A625	-

Express delivery



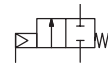
ANGLE SEATED VALVES

CLAMP or butt welding connection

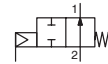
stainless steel body

DN 10 to 65

NC



NO



2/2

Series

S290

FEATURES

- Valve with clamp type connection to ISO 2852 for quick disconnection, a system commonly used in the food processing industry or with butt welding connection to ISO 6761 for stainless steel pipe to ISO 1127
- CLAMP valve body pickled in nitric/fluoric acid bath (NET-INOX passivation treatment)
- High flow due to angled seat design
- Anti-waterhammer design (fluid entry under the disc)
- Vacuum operation up to 10-2 mbar
- Wide range of piston-type operators (32 - 50- 63 - 90 -125 mm dia.) rotatable through 360°, for maximum performance at different minimum pilot pressures
- High performance, maintenance-free stuffing box
- The valves satisfy Pressure Equipment Directive 97/23/EC, category 1 (DN > 25) or article 3.3 (DN ≤ 25)



SPECIFICATIONS

DN	O.D. of Stub (clamp)	O.D. of Stub (butt)	Flow Coefficient Kv		Pilot Pressure (bar)		Operating Pressure Differential (bar)			Operator Diameter (mm)	Catalog Number		Suffix	
							Min.	Max.			Clamp Connection ⁽¹⁾	Butt Welding Connection		
								Air, Inert Gas, Aggressive Fluids	Water, Oil, Liquids, Aggressive Liquids					Steam (≤184°C)
(mm)	(mm)	(m³/h)	(l/min)	Min.	Max.									
NC - Normally closed, entry under the disc														
10	34	17.2	2.8	47	4	10	0	16	16	10	32	XS290A800	S290A802	VI
15	34	21.3	4.1	68	4	10	0	12	12	10	32	XS290A804	S290A806	VI
15	34	21.3	4.9	82	4	10	0	16	16	10	50	XS290A408	S290A417	VI
15	34	21.3	4.9	82	2.5	10	0	16	16	10	63	XS290B137	S290B205	-
20	50.5	26.9	6.5	108	4	10	0	6	6	6	32	XS290A808	S290A810	VI
20	50.5	26.9	9.4	157	4	10	0	10	10	10	50	XS290A409	S290A418	VI
20	50.5	26.9	9.4	157	4	10	0	16	16	10	63	XS290B140	S290B208	-
20	50.5	26.9	9.4	157	2.5	10	0	12	12	10	63	XS290B139	S290B207	-
25	50.5	33.7	12.8	213	4	10	0	6	6	6	50	XS290A410	S290A419	VI
25	50.5	33.7	16.5	275	4	10	0	10	10	10	63	XS290B145	S290B211	-
25	50.5	33.7	16.5	275	4	10	0	16	16	10	90	XS290B146	S290B212	-
25	50.5	33.7	16.5	275	2.5	10	0	6	6	6	63	XS290B143	S290B210	-
25	50.5	33.7	16.5	275	2.5	10	0	12	12	10	90	XS290B144	-	-
32	64	42.4	27	450	4	10	0	6	6	6	63	XS290A151	S290A215	-
32	64	42.4	27	450	4	10	0	12	12	10	90	-	S290A216	-
32	64	42.4	27	450	2.5	10	0	3	3	3	63	-	S290A214	-
40	64	48.3	45	750	4	10	0	4	4	4	63	XS290A155	S290A217	-
40	64	48.3	45	750	4	10	0	8	8	8	90	XS290A156	S290A218	-
40	64	48.3	45	750	2.5	10	0	4	4	4	90	XS290A154	-	-
50	77.5	60.3	59	983	4	10	0	2.5	2.5	2.5	63	XS290A687	S290A719	-
50	77.5	60.3	59	983	4	10	0	6	6	6	90	XS290A688	S290A720	-
50	77.5	60.3	59	983	2.5	10	0	2.5	2.5	2.5	90	XS290A685	-	-
65	91	76.1	94	1567	4	10	0	2	2	2	90	XS290A691	S290A722	-
NO - Normally open, entry under the disc														
10	34	17.2	2.8	47	IX (*)	10	0	16	16	10	32	XS290A812	S290A814	VI
15	34	21.3	4.1	68	IX (*)	10	0	16	16	10	32	XS290A816	S290A818	VI
15	34	21.3	4.9	82	I (*)	10	0	16	16	10	50	XS290A411	S290A420	VI
15	34	21.3	4.9	82	II (*)	10	0	16	16	10	63	XS290B161	S290B221	VI
20	50.5	26.9	6.5	108	IX (*)	10	0	16	16	10	32	XS290A820	S290A822	VI
20	50.5	26.9	9.4	157	I (*)	10	0	16	16	10	50	XS290A412	S290A421	VI
20	50.5	26.9	9.4	157	II (*)	10	0	16	16	10	63	XS290B162	S290B222	-
25	50.5	33.7	12.8	213	I (*)	10	0	16	16	10	50	XS290A413	S290A422	VI
25	50.5	33.7	16.5	275	II (*)	10	0	16	16	10	63	XS290B163	S290B223	-
32	64	42.4	27	450	II (*)	10	0	16	16	10	63	XS290A164	S290A224	-
40	64	48.3	45	750	II (*)	10	0	11	11	10	63	XS290A165	S290A225	-
50	77.5	60.3	59	983	II (*)	10	0	7	7	7	63	XS290A693	S290A724	-
50	77.5	60.3	59	983	III (*)	10	0	13	13	10	90	XS290A694	S290A725	-
65	91	76.1	94	1567	III (*)	10	0	7	7	7	90	XS290A695	S290A726	-

Express delivery

(1) SS clamp connection without NET-INOX treatment with TPL 24045





SERIES S290

SPECIFICATIONS

DN	O.D. of Stub (clamp)	O.D. of Stub (butt)	Flow Coefficient Kv		Pilot Pressure (bar)		Operating Pressure Differential (bar)				Operator Diameter	Catalog Number		Suffix
							Min.	Max.				Clamp Connection ⁽¹⁾	Butt Welding Connection	
								Air, Inert Gas, Aggressive Fluids	Water, Oil, Liquids, Aggressive Liquids	Steam (≤184°C)				
(mm)	(mm)	(m ³ /h)	(l/min)	Min.	Max.				(mm)					
NC - Normally closed, entry above the disc (version recommended for rapid-cycling steam applications)														
10	34	17.2	2.8	47	X (*)	10	0	10	-	10	32	XS290A824	S290A826	VI
15	34	21.3	4.1	68	X (*)	10	0	10	-	10	32	XS290A828	S290A830	-
15	34	21.3	4.9	82	V (*)	10	0	10	-	10	50	XS290A414	S290A423	-
15	34	21.3	4.9	82	VI (*)	10	0	10	-	10	63	XS290B167	S290B227	-
20	50.5	26.9	6.5	108	X (*)	10	0	10	-	10	32	XS290A832	S290A834	-
20	50.5	26.9	9.4	157	V (*)	10	0	10	-	10	50	XS290A415	S290A424	-
20	50.5	26.9	9.4	157	VI (*)	10	0	10	-	10	63	XS290B168	S290B228	-
25	50.5	33.7	12.8	213	V (*)	10	0	10	-	10	50	XS290A416	S290A425	-
25	50.5	33.7	16.5	275	VI (*)	10	0	10	-	10	63	XS290B169	S290B229	-
32	64	42.4	27	450	VI (*)	10	0	10	-	10	63	XS290A170	S290A230	-
40	64	48.3	45	750	VI (*)	10	0	10	-	10	63	XS290A171	S290A231	-
40	64	48.3	45	750	VII (*)	10	0	10	-	10	90	-	S290A259	-
50	77.5	60.3	59	983	VI (*)	10	0	9	-	9	63	XS290A697	S290A728	-
50	77.5	60.3	59	983	VII (*)	10	0	10	-	10	90	XS290A698	S290A729	-
65	91	76.1	94	1567	VII (*)	10	0	10	-	10	90	XS290A699	S290A730	-

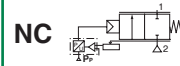
Express delivery

(1) SS clamp connection without NET-INOX treatment with TPL 24045

ANGLE SEATED PROPORTIONAL VALVES

all standard connection types

2 way
Series
290



FEATURES

- Precise, quick-acting and robust valve suitable for use in outdoor industrial environments
- Exceptional long service life
- Variable flow proportional to the control signal
- Real-time control
- Ready-to-use valve
- The positioner can be directly connected to an external sensor (double loop control)
- Power saving function and no air consumption when position is reached
- Manual valve operator
- LED indicators for valve status display
- External exhausting

POSITIONER D CONTROLLER SPECIFICATIONS (NC valves, fluid entry under the disc)

Analog Setpoint	Suffix for Proportional Valve and Positioner ⁽¹⁾ Delivered Assembled			
	Fail Position Maintained ⁽²⁾		Fail Close ⁽³⁾	
	2 Way			
	Cable Gland	M12	Cable Gland	M12
Positioner^D, Single Loop				
0 - 10 V DC	PDB76	PDB82	PDB78	PDB84
4 - 20 mA	PDB77	PDB83	PDB79	PDB85
Positioner^D, Double Loop				
0 - 10 V DC	-	-	PDB80	PDB86
4 - 20 mA	-	-	PDB81	PDB87

Express delivery

- (1) Place the indicated suffix after the catalog number of the valve selected
 (2) Fail position of the valve disc maintained on loss of power
 (3) Fail Close: Valve returns to closed position on loss of power

VALVE SPECIFICATIONS

Threaded E290

Pipe Size		Flow Coefficient Kv		Pilot Pressure (bar)		Operating Pressure Differential (bar)				Operator Diameter	Catalog Number
(G*)	DN	(m ³ /h)	(l/min)	Min.	Max.	Min.	Max.			(mm)	Stainless Steel
							Air, Inert Gas, Aggressive Fluids	Water, Oil, Liquids, Aggressive Liquids	Steam (≤184°C)		
NC - Normally closed, entry under the disc											
1/2	15	4.6	77	2.5	8	0	16	16	10	63	E290B045PD
1/2	15	4.9	82	4	10	0	16	16	10	50	E290A393PD
3/4	20	7.1	118	4.5	8	0	16	16	10	63	E290B048PD
3/4	20	9.4	157	4	10	0	10	10	10	50	E290A394PD
3/4	20	9.4	157	2.5	10	0	12	12	10	63	E290B047PD
1	25	15	250	4.5	8	0	10	10	10	63	E290B053PD
1	25	15	250	4.5	8	0	16	16	10	90	E290B054PD
1 1/4	32	21	350	4.5	8	0	6	6	6	63	E290A059PD
1 1/4	32	21	350	4.5	8	0	12	12	10	90	E290A060PD
1 1/2	40	29	483	4.5	8	0	4	4	4	63	E290A063PD
1 1/2	40	29	483	4.5	8	0	8	8	8	90	E290A064PD
2	50	40	667	4.5	8	0	2.5	2.5	2.5	63	E290A067PD
2	50	40	667	4.5	8	0	6	6	6	90	E290A068PD
2 1/2	65	68	1133	4.5	8	0	2	2	2	90	E290A500PD

Express delivery





SERIES 290

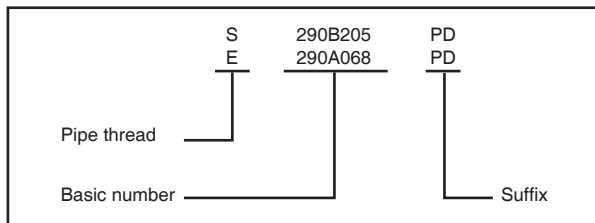
VALVE SPECIFICATIONS
Butt Weld & Tri Clamp S290

Pipe Size		Flow Coefficient Kv		Pilot Pressure (bar)		Operating Pressure Differential (bar)				Operator Diameter (mm)	Catalog Number	
						Min.	Max.		Steam (≤184°C)		Stainless Steel Clamp Connection ⁽⁴⁾	Stainless Steel Butt Weld Connection
(G°)	DN	(m³/h)	(l/min)	Min.	Air, Inert Gas, Aggressive Fluids		Water, Oil, Liquids, Aggressive Liquids	Max.		(mm)		
NC - Normally closed, entry under the disc												
1/2	15	4.6	77	2.5	8	0	16	16	10	63	XS290B137PD	S290B205PD
3/4	20	7.1	118	4.5	8	0	16	16	10	63	XS290B140PD	S290B208PD
1	25	15	250	4.5	8	0	10	10	10	63	XS290B145PD	S290B211PD
1	25	15	250	4.5	8	0	16	16	10	90	XS290B146PD	S290B212PD
1 1/4	32	21	350	4.5	8	0	6	6	6	63	XS290A151PD	S290A215PD
1 1/4	32	21	350	4.5	8	0	12	12	10	90	-	S290A216PD
1 1/2	40	29	483	4.5	8	0	4	4	4	63	XS290A155PD	S290A217PD
1 1/2	40	29	483	4.5	8	0	8	8	8	90	XS290A156PD	S290A218PD
2	50	40	667	4.5	8	0	2.5	2.5	2.5	63	XS290A687PD	S290A719PD
2	50	40	667	4.5	8	0	6	6	6	90	XS290A688PD	S290A720PD
2 1/2	65	68	1133	4.5	8	0	2	2	2	90	XS290A691PD	S290A722PD

Express delivery

(4) SS clamp connection without NET-INOX treatment with TPL 24045

ORDERING EXAMPLES





SOLENOID VALVES

1.4 W low power
brass or stainless steel bodies
1/4"

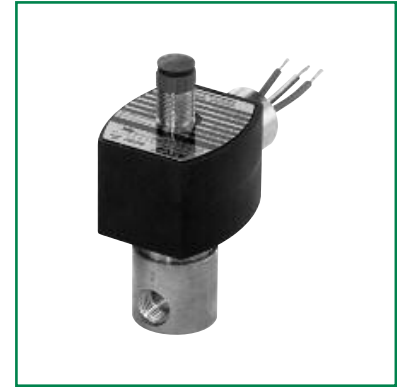
3/2

Series

314

FEATURES

- Molded one-piece solenoid with highly efficient solenoid cartridge and special low wattage coil
- Increased ambient temperature capabilities up to 175°F (80°C)
- Designed for use in automation of plant control systems to provide:
 - PLC compatibility
 - Reduced battery drain
 - Reduced heat rise
 - Reduced wiring cost
- Air or inert gas only



STANDARD VOLTAGES

DC (=) : 24V

SPECIFICATIONS

Pipe Size (in)	Orifice Size (mm)	Kv Flow Factor (m ³ /h)		Operating Pressure Differential (bar)		Max. Fluid and Ambient Temp. °C	Prefix				No Prefix	Catalog Number	
				Air-Inert Gas			VC	EF/VCEF ⁽¹⁾	EV	JPIS/JSIS		Brass	Stainless Steel
		Pressure to Cylinder	Cylinder to Exhaust	Min.	Max.								
3/2 Valves, Universal operation (Normally closed or Normally open) with NBR disc - SIL 3 capable, Certified by Exida													
1/4	2	0.07	0.07	0	10	60	●	●	●	-	●	8314G300	8314G301 ⁽²⁾
1/4	2	0.07	0.07	0	10	60	-	-	-	●	-	8314B300	8314B301

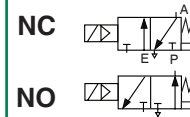
● Available Express

(1) Please refer to the page 69 for VCEF installation

(2) TPL 24001 also available



SOLENOID VALVES
air and water, high flow
brass or stainless steel bodies
1/4" - 3/4" NPT



3/2
Series
316

FEATURES

- Diaphragm poppet valves suitable for controlling air, inert gas, and liquids
- Internal piloting controls large orifices to provide high flows
- Can be used to pilot large actuators to provide quick closing of large control valves
- Resilient seating for tight shutoff
- Mountable in any position



STANDARD VOLTAGES

DC (=) : 24V; 125V(HC)
AC (-) : VC, EF/VCEF, EV/VCEV, Redhat II 110V/50Hz-120V/60Hz; 220V/50Hz-240V/60Hz
NF/WSNF 115V/50Hz; 120V/60Hz; 230V/50Hz

SPECIFICATIONS

Pipe Size (in)	Orifice Size (mm)	Kv Flow Factor (m ³ /h)		Operating Pressure Differential (bar)		Prefix										No Prefix	Catalog Number		Suffix	
				Inert Gas		VC	EF/VCEF ⁽²⁾	EV/VCEV ⁽²⁾	NF/WSNF	NFET/WSNFET	JKF/JKH	HT	HC	Brass Body	Stainless Steel					
		Pressure to Cylinder	Cylinder to Exhaust	Min.	Max.															
NORMALLY CLOSED (Closed when de-energized)																				
1/4	8	1.3	1.3	(1)	10	-	-	•	-	-	•	•	•	•	-	8316G081V	MB	MO		
3/8	8	1.3	1.3	(1)	10	-	-	•	-	-	•	•	•	•	-	8316G082V	MB	MO		
1/2	16	3.4	56.6	(1)	10	-	-	•	-	-	•	•	•	•	-	8316G084V	-	-		
1/2	16	3.4	56.6	(1)	10	-	-	-	•	•	-	-	-	-	-	B316A084V	MB	-		
1/2	16	2.7	2.7	0.7	10	•	•	-	-	-	•	•	-	•	8316G064	-	-	-		
1/2	16	2.8	2.8	0.7	8.5	-	-	-	•	-	-	-	-	-	B316A064	-	MB	-		
3/4	17	4.1	4.1	0.7	10	•	•	-	-	-	•	•	-	•	8316G074	-	-	-		

- Available Express
- (1) Zero minimum when valve selection gasket is in external position and proper auxiliary air pressure is applied. Minimum 1.0 bar operating pressure differential when selection gasket is in the internal position.
- (2) Please refer to the page 69 for VCEF & VCEV installation



LOW POWER SOLENOID VALVES

stainless steel bodies
1/4" - 1/2" NPT

3/2
Series
316

FEATURES

- Brass body construction for general atmospheres; stainless steel for corrosive atmospheres
- Can be internally piloted, or externally piloted to convert valve to zero minimum operation by flipping a gasket
- When externally piloted, loss of electrical power or auxiliary air exhausts air from the actuator and shifts process valve to its original position
- When internally piloted, loss of electric power returns the valve to its original position
- Also available with Low Power or Intrinsically Safe solenoids. See Special Service Valve Section



STANDARD VOLTAGES

DC (=) : 24V

SPECIFICATIONS

Pipe Size (in)	Orifice Size (mm)	Kv Flow Factor (m ³ /h)		Operating Pressure Differential (bar)		Prefix							No Prefix	Catalog Number		Suffix
				Min.	Max.	EV/VCEV ⁽²⁾	NF/WSNF	NFET/WSNFET	HT	MF	JSIS	Stainless Steel				
		Pressure to Cylinder	Cylinder to Exhaust													
3/2 VALVES, NORMALLY CLOSED (Closed when de-energized) with NBR Disc – SIL 3 Capable, Certified by Exida																
1/4	8	1.3	1.3	(1)	9	●	-	-	-	●	-	●	8316G381V	MB	MO	
1/4	8	1.3	1.3	(1)	9	●	-	-	●	-	-	●	8316H381V	MB	MO	
1/4	8	1.3	1.3	(1)	9	-	-	-	-	-	●	-	8316B381V	MB	MO	
1/4	8	1.3	1.3	(1)	10	-	●	●	●	-	-	-	B316A381V	MB	MO	
3/8	8	1.37	1.37	(1)	10	●	-	-	-	●	-	●	8316G382V	MB	MO	
3/8	8	1.6	1.6	(1)	9	●	-	-	●	-	-	●	8316H382V	MB	MO	
3/8	8	1.6	1.6	(1)	9	-	-	-	-	-	●	-	8316B382V	MB	MO	
3/8	8	1.6	1.6	(1)	9	-	●	●	●	-	-	-	B316A382V	MB	MO	
1/2	16	4	4	(1)	10	●	-	-	-	●	-	●	8316G384V	MB	MO	
1/2	16	3.5	3.5	(1)	9	●	-	-	●	-	-	●	8316H384V	MB	MO	
1/2	16	3.5	3.5	(1)	9	-	-	-	-	-	●	-	8316B384V	MB	MO	
1/2	16	3.5	3.5	(1)	9	-	●	●	●	-	-	-	B316A384V	MB	MO	

● Available Express

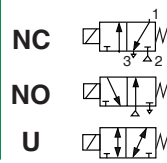
(1) Zero minimum when valve selection gasket is in external position and proper auxiliary air pressure is applied.

Minimum 1.0 bar operating pressure differential when selection gasket is in the internal position.

(2) Please refer to the page 69 for VCEV installation

SOLENOID VALVES

general service
brass or stainless steel bodies
1/4"



一级代理商

3/2
Series
320

FEATURES

- All NPT connections are in the valve body to allow in-line piping
- No minimum operating pressure differential required
- Broadest range of applications
- Mountable in any position



STANDARD VOLTAGES

DC (=) : 24V; 125V(HC)
AC (-) : VC, EF/VCEF, Redhat II 110V/50Hz-120V/60Hz; 220V/50Hz-240V/60Hz
SC, NF, WP 115V/50Hz; 120V/60Hz; 230V/50Hz

SPECIFICATIONS

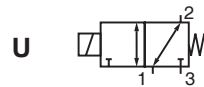
Pipe Size (in)	Orifice Size (mm)	Kv Flow Factor (m ³ /h)	Operating Pressure Differential (bar)						Prefix														No Prefix	Catalog Number		Option							
			Max. AC			Max. DC			SC	VC	EF/VCEF ⁽³⁾	EV/VCEV ⁽³⁾	NF/WSNF	NFET/WSNFET	JKF/JKH	HB	HC	HT	WP	Brass	Stainless Steel												
			Air-Inert Gas	Water	Lt. Oil @ 300 SSU	Air-Inert Gas	Water	Lt. Oil @ 300 SSU																									
U - Universal																																	
1/4	1.6	0.08	9	9	9	5	5	5	-	-	-	-	•	•	-	-	-	•	•	-	-	-	-	-	-	-	B320A172 ⁽⁴⁾	-	MO	MS	E	-	
1/4	1.6	0.08	9	9	9	5	5	5	•	•	•	•	-	-	•	•	•	•	-	•	•	-	•	-	-	-	8320G172	-	MO	-	-	-	
1/4	2.4	0.1	7	7	7	4	4	4	•	-	-	-	•	-	-	-	-	•	•	-	-	-	-	-	-	-	B320B174	-	MO	MS	-	MB	
1/4	2.4	0.1	7	7	7	4	4	4	•	•	•	-	-	-	• ⁽¹⁾	• ⁽²⁾	• ⁽¹⁾	-	•	-	-	-	-	-	-	-	B320G174	-	MO	-	-	-	
1/4	3.2	0.21	3	3	3	2	2	2	•	-	-	-	•	•	-	-	-	•	•	-	-	-	-	-	-	-	B320B176	-	MO	-	-	-	
1/4	3.2	0.21	3	3	3	2	2	2	-	-	•	•	-	-	• ⁽¹⁾	• ⁽²⁾	• ⁽¹⁾	-	•	-	-	-	-	-	-	-	8320G176	-	MO	-	-	-	
1/4	4.4	0.3	1	1	1	1	1	1	•	-	•	•	-	-	-	-	-	•	•	-	-	-	-	-	-	-	8320G178	-	-	-	-	-	
1/4	2.4	0.1	7	7	7	4	4	4	•	-	-	-	•	•	-	-	-	•	•	-	-	-	-	-	-	-	B320A200	MO	MS	V	-		
1/4	2.4	0.1	7	7	7	4	4	4	-	•	•	•	-	-	• ⁽¹⁾	• ⁽²⁾	• ⁽¹⁾	-	•	-	-	-	-	-	-	-	8320G200	-	-	-	-	-	
1/4	2.4	0.1	7	7	7	4	4	4	•	-	-	-	-	-	-	-	-	•	•	-	-	-	-	-	-	-	B320A201	-	-	-	-	-	
1/4	3.2	0.21	3	3	3	2	2	2	-	-	•	•	-	-	• ⁽¹⁾	• ⁽²⁾	• ⁽¹⁾	-	•	-	-	-	-	-	-	-	8320G201	-	-	-	-	-	
NC - Normally closed																																	
1/4	0.8	0.02	50	50	50	35	35	35	-	-	-	-	-	-	-	-	-	-	-	-	-	-	-	-	-	-	B320A180	-	-	-	-	-	
1/4	1.6	0.08	14	15	15	11	11	11	•	•	•	•	•	•	• ⁽¹⁾	• ⁽²⁾	• ⁽¹⁾	-	•	-	-	-	-	-	-	-	-	8320G182	-	-	-	-	-
1/4	2.4	0.1	10	10	10	8	8	8	•	•	•	•	-	-	•	•	•	-	•	-	-	-	-	-	-	-	-	8320G184	-	MO	MS	-	-
1/4	3.2	0.21	6	6	6	4	4	4	•	-	-	-	•	•	-	-	-	•	•	-	-	-	-	-	-	-	B320A186	-	MO	-	-	-	
1/4	3.2	0.21	6	6	6	4	4	4	•	•	•	•	-	-	•	•	•	-	•	-	-	-	-	-	-	-	8320G186	-	-	-	-	-	
1/4	4.4	0.3	3	3	3	2	2	2	-	-	•	•	-	-	-	-	-	•	•	-	-	-	-	-	-	-	8320G188	-	-	-	-	-	
1/4	2.4	0.1	10	10	10	8	8	8	-	-	-	-	•	•	-	-	-	•	•	-	-	-	-	-	-	-	-	B320A202 ⁽⁴⁾	MO	MS	-	-	
1/4	2.4	0.1	10	10	10	8	8	8	•	•	•	•	-	-	•	•	•	-	•	-	-	-	-	-	-	-	8320G202	-	-	-	-	-	
1/4	3.2	0.21	6	6	6	4	4	4	-	-	-	-	•	•	-	-	-	•	•	-	-	-	-	-	-	-	B320A203	-	-	-	-	-	
1/4	3.2	0.21	6	6	6	4	4	4	-	-	•	•	-	-	•	•	•	-	•	-	-	-	-	-	-	-	8320G203	-	-	-	-	-	
NO - Normally open																																	
1/4	1.6	0.08	16	17	17	11	11	11	-	-	•	•	-	-	• ⁽¹⁾	• ⁽²⁾	• ⁽¹⁾	-	•	-	-	-	-	-	-	-	-	8320G192	-	-	-	-	-
1/4	2.4	0.1	10	10	10	7	7	7	•	-	-	-	•	•	-	-	-	•	•	-	-	-	-	-	-	-	-	B320A194	-	-	MS	-	-
1/4	2.4	0.1	10	10	10	7	7	7	-	•	•	•	-	-	•	•	•	-	•	-	-	-	-	-	-	-	-	8320G194	-	-	-	-	-
1/4	3.2	0.21	5	5	5	4	4	4	-	-	-	-	•	•	-	-	-	•	•	-	-	-	-	-	-	-	-	B320A196	-	MO	-	-	-
1/4	3.2	0.21	5	5	5	4	4	4	-	-	•	•	-	-	•	•	•	-	•	-	-	-	-	-	-	-	-	8320G196	-	-	-	-	-
1/4	4.4	0.3	3	3	3	2	2	2	-	-	•	•	-	-	-	-	-	•	•	-	-	-	-	-	-	-	8320G198	-	-	-	-	-	
1/4	2.4	0.1	10	10	10	7	7	7	-	-	-	-	-	-	-	-	-	•	•	-	-	-	-	-	-	-	-	B320A204	-	-	-	-	-
1/4	3.2	0.21	5	5	5	4	4	4	-	-	-	-	•	•	-	-	-	•	•	-	-	-	-	-	-	-	-	B320A205	-	-	-	-	-

- Available Express
- (1) DC only
- (2) AC only
- (3) Please refer to the page 69 for VCEF&VCEV installation
- (4) TPL 16137 also available

SOLENOID VALVES

direct operated, reduce & low power
brass or stainless steel bodies
1/4" - 1/2"

3/2
Series
327



FEATURES

- The valves are certified according to IEC 61508 functional safety data and have SIL-3 capability (TÜV & Exida certification)
- The solenoid valves are recommended for pilot applications with basic flow, wide pressure ranges and no minimum operating pressure
- PTFE rider rings and graphite-filled PTFE seals reduce friction and eliminate sticking
- Coils used in metal enclosures have class H insulation materials
- Option available for low ambient temperatures
- Peak voltage suppression diodes are standard in DC solenoids with metal enclosures
- The solenoid valves satisfy all relevant EC Directives
- Manual operators are optional including an under pressure removable type
- Environmental NACE compliant and certified vibration resistant in combination with WSCR solenoids

STANDARD VOLTAGES

DC (=) :	24V
AC (~) :	VC, EF/VCEF, Redhat II 115-120V/50-60Hz; 230-240V/50-60Hz
	SC, NF/WSNF, WSCR, WP/WS 115V/50-60Hz; 230V/50-60Hz

SPECIFICATIONS

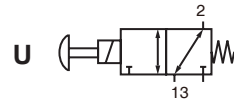
Pipe Size	Orifice Size		Flow Coefficient Kv		Operating Pressure Differential (bar)	Power Level	Prefix											No Prefix	Catalog Number		Suffix
	(mm)	(m³/h)	(l/m)	Min.			Max. (PS)	SC	VC	EF/VCEF ⁽²⁾	EV/VCEV ⁽²⁾	NF/WSNF ⁽⁶⁾	NFET/WSNFET	WSNFTIS	WSCR	HT	WP/WS		Brass	Stainless Steel	
U - Universal, FPM sealings and poppets (minimum fluid temperature -20°C)																					
1/4	5.7	0.45	7.5	0	10	BP	•	-	-	-	•	•	-	-	-	•	-	8327B001 ⁽⁴⁾⁽⁵⁾	8327B002 ⁽⁴⁾⁽⁵⁾	MO/MS	
1/4	5.7	0.45	7.5	0	10	MP	•	-	-	-	•	•	-	-	-	•	-	8327B201	8327B202	MO/MS	
1/4	5.7	0.45	7.5	0	10	RP	•	-	-	-	•	•	-	-	-	•	-	8327B101	8327B102 ⁽⁴⁾⁽⁵⁾	MO/MS	
1/4	5.7	0.45	7.5	0	10	RP	-	-	•	-	-	-	-	-	-	-	-	8327H101	8327H102	-	
1/4	5.7	0.45	7.5	0	10	LP	-	-	-	-	•	•	•	•	-	-	-	8327B301 ⁽¹⁾	8327B302 ⁽¹⁾⁽⁴⁾	MO/MS	
U - Universal, VMQ sealings and poppets (minimum fluid temperature -40°C)																					
1/4	5.7	0.45	7.5	0	10	BP	-	-	-	-	•	•	-	-	-	•	-	8327B011	8327B012	-	
U - Universal, (F)VMQ sealings and poppets (minimum fluid temperature -50°C)																					
1/4	5.7	0.45	7.5	0	10	MP	•	-	-	-	•	•	-	-	-	•	-	8327B211	8327B212	-	
1/4	5.7	0.45	7.5	0	10	RP	•	-	-	-	•	•	-	-	-	•	-	8327B111	8327B112	-	
1/4	5.7	0.45	7.5	0	10	LP	-	-	-	-	•	•	•	-	-	•	-	8327B311 ⁽¹⁾	8327B312 ⁽¹⁾	-	
U - Universal, FPM sealings and poppets (minimum fluid temperature -20°C)																					
1/4	6	0.42	7	-	10	BP	•	•	•	•	-	-	-	-	• ⁽¹⁾	-	•	8327G041	-	-	
1/4	6	0.42	7	-	10	BP	•	•	•	•	-	-	-	-	• ⁽¹⁾	-	•	-	8327G042	-	
U - Universal, FPM sealings and poppets (minimum fluid temperature -40°C)																					
1/4	6	0.42	7	-	10	BP	-	• ⁽¹⁾	•	•	-	-	-	-	-	-	-	-	8327G052	-	
U - Universal, NBR sealings and poppets (High Flow)																					
1/4	12	1.5	25	0	10	BP	•	-	-	-	•	•	-	-	-	•	-	8327A647	8327A648	MO	
1/2	12	1.5	25	0	10	BP	-	-	-	-	•	•	-	-	-	•	-	8327A607	8327A608 ⁽⁹⁾	MO/MS	
U - Universal, (F)VMQ sealings and poppets (High Flow)																					
1/4	12	1.5	25	0	10	BP	-	-	-	-	•	•	-	-	-	-	-	-	8327A646	-	
1/2	12	1.5	25	0	10	BP	-	-	-	-	•	•	-	-	-	-	-	-	8327A606	-	

- Available Express
- (1) DC only
- (2) Please refer to the page 69 for VCEF&VCEV installation
- (3) TPL 16137 also available
- (4) TPL 18528 also available
- (5) TPL 18538 also available
- (6) TPL 26104 also available for prefix NF/WSNF
- ❖ Select 8 for NPT ANSI 1.20.3 or select G for ISO G (228/1)

SOLENOID VALVES

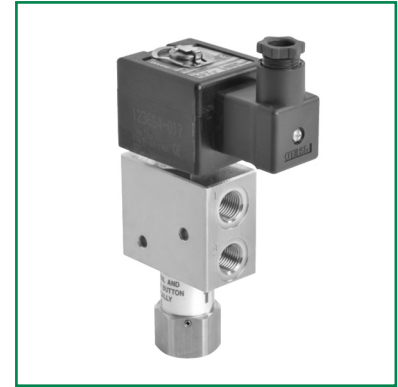
no voltage release (tamperproof)
manual reset construction
1/4"

3/2
Series
327



FEATURES

- The valves are certified according to IEC 61508 functional safety data and have SIL-3 capability (Exida approval)
- Compact tamperproof/manual reset function which means that the valve has to be energized as well as manually operated before it stays in the "latched" position. Because of the tamperproof feature there will be no flow from port 3 to port 2 if only the push button is pressed. The No Voltage Release (NVR) function will make sure that the valve trips when de-energized
- The solenoid valves are recommended for pilot applications with basic flow, wide pressure ranges and no minimum operating pressure
- PTFE rider rings and graphite-filled PTFE seals reduce friction and eliminate sticking
- Coils used in metal enclosures have class H insulation materials
- Peak voltage suppression diodes are standard in DC solenoids with metal enclosures
- The solenoid valves satisfy all relevant EC Directives



STANDARD VOLTAGES

DC (=) : 24V
AC (-) : EF/VCEF, Redhat II 115-120V/50-60Hz; 230-240V/50-60Hz
NF/WSNF, WP/WS 115V/50-60Hz; 230V/50-60Hz

SPECIFICATIONS

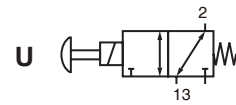
Pipe Size	Orifice Size	Flow Coefficient Kv		Operating Pressure Differential (bar)		Power Level	Prefix				Catalog Number	
				Min.	Max. (PS)		EF/VCEF	NF/WSNF ⁽²⁾	NFET/WSNFET	WP	Brass	Stainless Steel
					Air/Water							
(mm)	(m ³ /h)	(l/m)			~/=							
U - Universal, FPM sealings and poppets, manual reset												
1/4	5.7	0.55	9.2	0	10	BP	•	•	•	•	8327B021 ⁽¹⁾	8327B022 ⁽¹⁾
1/4	5.7	0.55	9.2	0	10	MP	-	•	•	•	8327B221	8327B222
1/4	5.7	0.55	9.2	0	10	RP	-	•	•	•	8327B121	8327B122
1/4	5.7	0.55	9.2	0	10	RP	•	-	-	-	8327H121	8327H122
1/2	12	1.8	30	0	10	MP	-	•	•	-	-	8327A620
U - Universal, FPM sealings and poppets, manual reset tamperproof												
1/4	5.7	0.55	9.2	0	10	BP	•	•	•	-	-	8327B032
1/4	5.7	0.55	9.2	0	10	MP	-	•	•	-	-	8327B232
1/4	5.7	0.55	9.2	0	10	RP	-	•	•	-	8327B131	8327B132
1/4	5.7	0.55	9.2	0	10	RP	•	-	-	-	8327H131	8327H132

• Available Express
(1) TPL 18528 also available
(2) TPL 26104 also available for prefix NF/WSNF



SOLENOID VALVES

NAMUR
1/4"



3/2
Series
327

FEATURES

- The valves are certified according to IEC 61508 functional safety data and have SIL-3 capability (Exida approval)
- Compact tamperproof/manual reset function which means that the valve has to be energized as well as manually operated before it stays in the "latched" position. Because of the tamperproof feature there will be no flow from port 3 to port 2 if only the push button is pressed. The No Voltage Release (NVR) function will make sure that the valve trips when de-energized
- The solenoid valves are recommended for pilot applications with basic flow, wide pressure ranges and no minimum operating pressure
- PTFE rider rings and graphite-filled PTFE seals reduce friction and eliminate sticking
- Coils used in metal enclosures have class H insulation materials
- Peak voltage suppression diodes are standard in DC solenoids with metal enclosures
- The solenoid valves satisfy all relevant EC Directives



STANDARD VOLTAGES

DC (=) : 24V
AC (-) : NF/WSNF, WSCR, WP/WS 115V/50-60Hz; 230V/50-60Hz

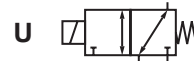
SPECIFICATIONS

Pipe Size	Orifice Size (mm)	Flow Coefficient Kv (m ³ /h) (l/m)		Operating Pressure Differential (bar)		Power Level ~/=	Prefix			Catalog Number Stainless Steel	Suffix
				Min.	Max. (PS) Air/Water ~/=		NF/WSNF	NFET/ WSNFET	WP		
U - Universal, FPM sealings and poppets											
1/4	5.7	0.55	9.2	0	10	BP	•	•	•	8327B005	MO/MS
1/4	5.7	0.55	9.2	0	10	RP	•	•	•	8327B105	MS
1/4	5.7	0.55	9.2	0	10	LP	•	•	•	8327B305 ⁽¹⁾	MS

• Available Express
(1) DC only



pinch mechanism
 for flexible tube
 O.D. 3.2 mm



FEATURES

- Solenoid valve suitable for cutting off the flow of a fluid by pinch
- For sterile, aseptic, physiological and food applications
- No turbulence or gap when cutting off flow by pinch
- Silent operation
- Full bore output flow compared with a traditional solenoid valve
- Manual pulse control for fitting tube
- A single component in contact with the fluid, i.e. the tube
- Bi-directional flow
- The tubings are included in our supply, 30cm length
- The solenoid valves satisfy all relevant EC directives



STANDARD VOLTAGES

DC (⇒) : 12V-24V

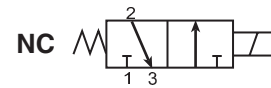
SPECIFICATIONS

Tube I.D. (mm)	Tube O.D. (mm)	Pinch Force (daN)	Operating Pressure Differential (bar)			Power Coil (W)		Mounting Flange (mm)	Catalog Number
			Min.	Max. (PS)		~	=		
				Air Inert Gas (*)	Liquids (*)				
				=	=			=	
1.6	3.2	0.22	0	1.5	1.5	-	3.5	26	
								33	

(1) The flange is rotatable with 90°



MINI-SOLENOID VALVES
RB Series Miniature Valve



FEATURES

- Tested in excess of 500 million cycles
- Maximum leakage rate:0.3 SCCM(Bubble Tight)
- All valves 100% factory tested
- Class A insulated coils
- Circuit board mountable
- Built in barbed fittings
- Oxygen Clean available
- Recommended for use with dry air, lubricated air, vacuum, non-corrosive, non-toxic, non-flammable dry gases
- Consult factory for other service application

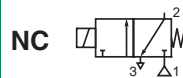
STANDARD VOLTAGES

DC (=) : 12V

SPECIFICATIONS

Series	Power	Body Style	Configuration	Port No. 3 Connection	Electrical Connection	Port No. 1	Port No. 3	Seal Material	Catalog Number
RB	1 Watt	0.125 Barb	3 Way	0.125 Barb (3 Way only)	Hard Wire (12"/26 AWG)	0.75 mm	1.25 mm	Oxygen Cleaned (Viton)	RMB3B6H35O

direct operated
multiple manifold sub-bases
G 1/8"



3/2
Series

HV293734



FEATURES

- Compact size and easy assembly
- Suitable for mixing or distributing function; suitable for piston valve piloting function
- AC/DC interchangeability of the solenoid without disassembling the valve
- Quick disassembly of core tube for easy maintenance of internal parts



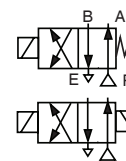
STANDARD VOLTAGES

DC (=) : 24V
AC (-) : 230V/50Hz

SPECIFICATIONS

Pipe Size	Orifice Size (mm)	Flow Coefficient Kv (m ³ /h) (l/min)		Operating Pressure Differential (bar)				Power Coil (w)		Catalog Number	
				Min.	Max. (PS)		AC	DC			
					Air	Oil					
				AC	DC	AC	DC	AC	DC		
NC - Normally closed											
1/8	1.5	0.06	1	0	8	8	8	8	•	•	HV293734-2-2
1/8	1.5	0.06	1	0	8	8	8	8	•	•	HV293734-2-3
1/8	1.5	0.06	1	0	8	8	8	8	•	•	HV293734-2-4
1/8	1.5	0.06	1	0	8	8	8	8	•	•	HV293734-2-5
1/8	1.5	0.06	1	0	8	8	8	8	•	•	HV293734-2-6
1/8	1.5	0.06	1	0	8	8	8	8	•	•	HV293734-2-7
1/8	1.5	0.06	1	0	8	8	8	8	•	•	HV293734-2-8
1/8	1.5	0.06	1	0	8	8	8	8	•	•	HV293734-2-9
1/8	1.5	0.06	1	0	8	8	8	8	•	•	HV293734-2-10

• Available Express



FEATURES

- Direct acting operation and high flow construction
- Direct acting, high flow slide-style valve
- Optional flow control regulates cylinder speed independently, in either direction
- Mechanical detent on dual solenoids holds last position, even after loss of electric power, pneumatics or pressure
- No minimum operating pressure differential required to shift valve
- Dual solenoid operation: solenoid may be energized momentarily (1/10 second) or continuously
- Mountable in any position



STANDARD VOLTAGES

AC (-) : 110V/50Hz; 120V/50Hz; 220V/50Hz; 240V/50Hz

SPECIFICATIONS

Pipe Size (in)	Orifice Size (mm)	Kv Flow Factor (m ³ /h)	Operating Pressure Differential (bar)			Max. Fluid Temp. °C	Prefix			No Prefix	Catalog Number	Suffix
			Max. AC				AC	EF/VCEF ⁽¹⁾	HB			
			Air-Inert Gas	Water	Lt. Oil @ 300 SSU						Brass	
Single solenoid construction												
1/4	4.8	0.6	9	7	7	71	-	-	•	-	B342C001	-
1/4	4.8	0.6	9	7	7	71	•	•	-	•	8342G001	-

• Available Express

(1) Please refer to the page 69 for VCEF installation

SOLENOID VALVES

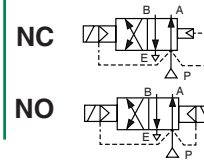
piston / poppet
brass body
1/2"

一级代理商

4/2

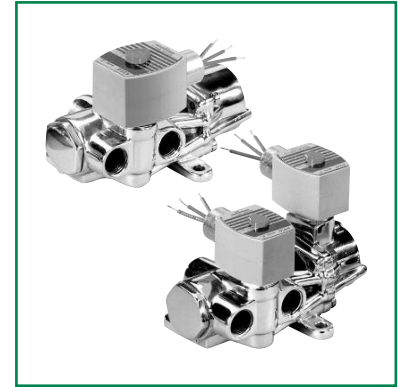
Series

344



FEATURES

- Sturdy, robust construction
- Piston-operated poppet design provides high flow
- For use with air or water
- Wide range of sizes and flow rates
- Single or dual solenoid constructions
- Dual solenoid can be shifted with a momentary signal and remain in position even if electrical power is lost
- Mountable in any position



STANDARD VOLTAGES

DC (=) : 24V; 125V(HC)
 AC (-) : VC, EF/VCEF, Redhat II 110V/50Hz-120V/60Hz; 220V/50Hz-240V/60Hz
 SC, NF/WSNF, WP/WS 115V/50Hz; 120V/60Hz; 230V/50Hz

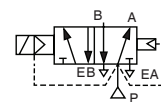
SPECIFICATIONS

Pipe Size (in)	Orifice Size (mm)	Kv Flow Factor (m³/h)		Operating Pressure Differential (bar)						Max. Fluid Temp. °C		Prefix													No Prefix	Catalog Number		Suffix	
				Max. AC			Max. DC					AC	DC	SC	VC	EF/VCEF ⁽¹⁾	NF/WSNF	NFET/WSNFET	JKF/JKH	HC	HT	WP	WS	WSTIS		Brass	Stainless Steel		
				Min.	Press.	Exh.	Air-Inert Gas	Water	Light Oil @ 300 SSU																				Air-Inert Gas
Single solenoid																													
1/4	6	0.69	0.86	0.7	10	9	9	9	9	9	82	65	-	-	•	-	-	•	•	•	•	-	-	•	8344G070	-	MO	-	
1/4	6.4	0.7	11.6	0.7	9	9	9	9	9	9	82	49	-	-	-	•	•	-	-	•	•	-	-	-	-	-	8344A090	-	-
3/8	10	1.2	1.89	0.7	10	9	9	9	9	9	82	65	•	-	-	•	•	-	-	•	•	-	-	-	B344A072	-	MO	-	
1/2	10	1.2	1.89	0.7	10	9	9	9	9	9	82	65	•	-	-	•	•	-	-	•	•	-	•	-	B344A074	-	-	-	
1/2	10	1.2	1.89	0.7	10	9	9	9	9	9	82	65	-	•	•	-	-	•	•	-	-	-	-	•	8344G074	-	MO	-	
1/2	9.5	1.9	31.6	0.7	9	9	9	9	9	9	82	49	-	-	-	•	•	-	-	•	•	-	-	-	-	-	8344A095	-	V
3/4	19	4.5	4.8	0.7	10	9	9	9	9	9	82	65	•	-	-	•	•	-	-	•	•	-	-	-	•	344BA076	-	MO	-
Dual solenoid																													
1/4	6.4	0.7	11.6	0.7	17	9	-	9	9	-	82	49	•	-	-	-	-	-	•	•	•	-	-	-	8344-044	-	MO	-	
3/8	9.5	1.9	31.6	0.7	17	14	-	9	9	-	82	49	•	-	-	-	-	-	•	•	•	-	-	-	8344-080	-	MO	-	
1/2	10	1.4	1.89	0.7	17	14	9	9	9	7	82	49	-	-	•	-	-	-	•	•	-	-	-	-	8344G082	-	MO	-	
3/4	19	5.2	4.8	0.7	21	21	14	9	9	7	82	49	•	-	-	•	•	-	-	-	-	-	-	-	•	344B054	-	MO	-
1	19	5.2	4.8	0.7	21	21	14	9	9	7	82	49	-	-	-	•	•	-	-	-	-	-	-	-	•	344B056	-	MO	-

- Available Express
- (1) Please refer to the page 69 for VCEF installation



general service
brass body
1/4"



FEATURES

- Compact valves for general service applications
- Low-cost, 4-way valve when low flow is sufficient
- Mountable in any position

STANDARD VOLTAGES

DC (=) : 24V
AC (-) : EF/VCEF, Redhat II 110V/50Hz-120V/60Hz; 220V/50Hz-240V/60Hz



SPECIFICATIONS

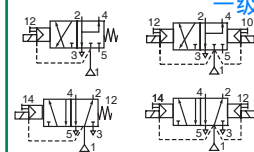
Pipe Size (in)	Orifice Size (mm)		Kv Flow Factor (m³/h)		Operating Pressure Differential (bar)						Max. Fluid Temp. °C		Prefix		No Prefix	Catalog Number	
					Min.	Max. AC			Max. DC								
						Press.	Exh.	Inlet	Exh.	Air-Inert Gas	Water	Lt. Oil @ 50 SSU	Air-Inert Gas	Water	Lt. Oil @ 50 SSU	AC	DC
Single solenoid																	
1/4	2	2	0.08	0.08	0.7	10	10	10	7	7	7	82	40	•	•	•	8345G001
Single solenoid air-only construction - Exhaust to atmosphere																	
1/4	2	2	0.08	0.08	0.7	10	-	-	7	-	-	82	40	•	-	•	8345H003

• Available Express

(1) Please refer to the page 69 for VCEF installation



Spool type
single/dual solenoid
aluminium body, 1/4", Namur and Threaded style



FEATURES

- The "Namur" style spool valve have threaded port connection and Namur interface, and "Threaded" style spool valve have threaded port connections
- All the exhaust ports of this spool valve are connectable, providing better environmental protection, particularly recommended for sensitive areas such as clean rooms, and applications in the pharmaceutical and food processing sectors
- The valve offers environmental protection against the ingress of liquids, dusts or any other foreign matter (environmentally-protected construction)
- Can be externally piloted (external air pilot supply) to convert valve to zero minimum operation by flipping a gasket
- Stainless steel manual operator as standard



STANDARD VOLTAGES

DC (=) :	24V
AC (-) : SC, VC, EF/VCEF, EV/VCEV, Redhat II	110V/50Hz-120V/60Hz; 220V/50Hz-240V/60Hz
NF/WSNF	115V/50Hz; 120V/60Hz; 230V/50Hz
WBLP	115V/50Hz; 230V/50Hz

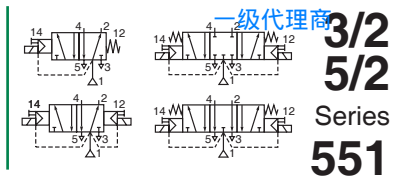
SPECIFICATIONS

Pipe Size	Orifice Size (mm)	Flow Coefficient Kv (m ³ /h) (l/min)		Operating Pressure Differential (bar)			Prefix										No Prefix	Catalog Number
				Min.	Max. (PS)		SC	VC	WBLP	EF/VCEF ⁽¹⁾	JKF/JKH	NF	NFET	JPIS	HT	WP		
					~	=												
NAMUR 3/2 NC - 5/2 - Solenoid air pilot operated - spring return (Single solenoid)																		
1/4	6	0.95	15.5	2	10	10	●	-	●	-	-	-	-	-	-	-	♣531C001MS	
1/4	6	0.95	15.5	2	10	10	-	-	-	-	-	-	-	●	-	●	8531B301MO ⁽²⁾	
1/4	6	0.95	15.5	2	10	10	-	●	-	●	-	-	-	-	-	-	8531G301MO ⁽²⁾	
1/4	6	0.95	15.5	2	10	10	-	●	-	●	-	-	-	-	-	-	G531H301MO ⁽²⁾	
1/4	6	0.95	15.5	2	10	10	-	●	-	●	-	-	-	●	-	●	8531B401MO	
1/4	6	0.95	15.5	2	10	10	-	●	-	●	-	-	-	●	-	●	8531G401MO	
1/4	6	0.95	15.5	2	10	10	-	●	-	●	-	-	-	●	-	●	G531H401MO	
NAMUR 3/2 NC - 5/2 - Solenoid air pilot operated - spring return (Double solenoid)																		
1/4	6	0.95	15.5	2	10	10	●	-	●	-	-	-	-	-	-	-	♣531C002MS	
THREADED 5/2 - Solenoid air pilot operated - spring return (Single solenoid)																		
1/4	6	0.95	15.5	2	10	10	●	-	●	-	-	-	-	-	-	-	♣531C017MS	
1/4	6	0.95	15.5	2	10	10	-	-	-	●	-	-	-	-	-	-	G531H317MO ⁽²⁾	
1/4	6	0.95	15.5	2	10	10	-	-	-	-	●	●	-	●	●	-	8531B417MO	
1/4	6	0.95	15.5	2	10	10	-	●	-	●	●	-	-	●	-	●	G531H417MO	
THREADED 5/2 - Solenoid air pilot operated and return (Double solenoid)																		
1/4	6	0.95	15.5	2	10	10	●	-	●	-	-	-	-	-	-	-	♣531C018MS	
1/4	6	0.95	15.5	2	10	10	-	●	-	●	-	-	-	-	-	-	G531H318MO ⁽²⁾	

● Available Express
 (1) Please refer to the page 69 for VCEF installation
 (2) DC only
 ♣ Stands for options "8" for NPT port thread and "G" for BSP port thread

SPOOL VALVES

aluminium, stainless steel or brass body
1/4" threaded and NAMUR



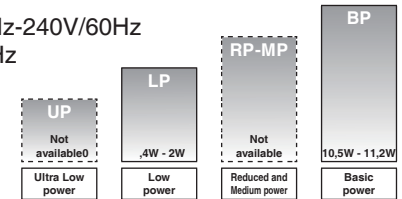
FEATURES

- The monostable spool valves in conformity with IEC 61508 Standard (2010 route 2H version) have TÜV and EXIDA certified with integrity levels: SIL 2 for HFT = 0 / SIL 3 for HFT = 1
- All the exhaust ports of this spool valve are connectable, providing better environmental protection, particularly recommended for sensitive areas such as clean rooms, and applications in the pharmaceutical and food processing sectors
- The valve offers environmental protection against the ingress of liquids, dusts or any other foreign matter (environmentally-protected construction)
- The solenoid valves satisfy all relevant EC Directives



STANDARD VOLTAGES

DC (=) : 24V; 125V(HC)
AC (-): SC, VC, EF/VCEF, EV/VCEV, Redhat II 110V/50Hz-120V/60Hz; 220V/50Hz-240V/60Hz
NF/WSNF 115V/50Hz; 120V/60Hz; 230V/50Hz
WBLP 115V/50Hz; 230V/50Hz



POWER LEVELS - cold electrical holding values (watt)

SPECIFICATIONS

Pipe Size	Orifice Size	Flow Coefficient Kv		Operating Pressure Differential (bar)		Prefix														No Prefix	Catalog Number			Options													
						Min. (1)	Max. (PS)	Air	SC	VC	PV	WBLP	EF/VCEF(2)(3)	EV/VCEV(3)	NF/WSNF	NFET/WSNFET	JPIS/JSIS(5)	JKF	JKH		HT	HC	Stainless Steel		Aluminium	Brass											
																											~	=									
THREADED 3/2 - Solenoid air pilot operated - spring return (monostable)																																					
1/4	6	0.75	12.5	2	10	10	•	-	•(4)	•	-	-	-	-	-	-	-	-	-	-	-	-	-	-	-	-	-	-	-	-	-	-	-	-	•551A005	-	MS
1/4	6	0.75	12.5	0/2	10	10	-	-	-	-	-	-	•	-	-	-	-	-	-	-	-	-	-	-	-	-	-	-	-	-	-	-	-	•551B405	-	MO	
1/4	6	0.75	12.5	2	10	10	•	•	-	-	-	•	-	-	-	-	-	-	-	-	-	-	-	-	-	-	-	-	-	-	-	-	8551G405	-	MO		
1/4	6	0.75	12.5	0/2	10	10	•	•	-	-	-	•	-	-	-	-	-	-	-	-	-	-	-	-	-	-	-	-	-	-	-	-	G551H405	-	MO		
1/4	6	0.75	12.5	0/2	-	10	•	-	-	-	-	-	-	•	•	-	-	-	-	-	-	-	-	-	-	-	-	-	-	-	-	-	•551B305(6)	-	MO		
1/4	6	0.75	12.5	0/2	-	10	-	•	-	-	-	•	-	-	-	-	-	-	-	-	-	-	-	-	-	-	-	-	-	-	-	-	8551G305(6)	-	MO		
1/4	6	0.7	11.7	0/3	-	10	-	•	-	-	-	•	-	-	-	-	-	-	-	-	-	-	-	-	-	-	-	-	-	-	-	-	G551H305(6)	-	MO		
1/4	6	0.75	12.5	0/2	-	10	•	-	-	-	-	-	-	•	•	-	-	-	-	-	-	-	-	-	-	-	-	-	-	-	-	-	•551A313(6)	-	MO		
1/4	6	0.75	12.5	0/2	-	10	-	-	-	-	-	-	-	-	-	-	-	-	-	-	-	-	-	-	-	-	-	-	-	-	-	-	8551B313(6)	-	MO		
1/4	6	0.75	12.5	0/2	-	10	-	•	-	-	-	•	•	-	-	-	-	-	-	-	-	-	-	-	-	-	-	-	-	-	-	-	-	8551G313(6)	-	MO	
1/4	6	0.75	12.5	0/2	10	10	-	-	-	-	-	-	-	•	•	-	-	-	-	-	-	-	-	-	-	-	-	-	-	-	-	-	-	8551A413	-	MO	
1/4	6	0.75	12.5	0/2	10	10	-	•	-	-	-	-	-	-	-	-	-	-	-	-	-	-	-	-	-	-	-	-	-	-	-	-	-	8551D413	-	MO	
1/4	6	0.75	12.5	0/2	10	10	•	•	-	-	-	•	•	-	-	-	-	-	-	-	-	-	-	-	-	-	-	-	-	-	-	-	-	•551G413	-	MO	
THREADED 3/2 - Solenoid air pilot operated - spring return (bistable)																																					
1/4	6	0.75	12.5	0/2	10	10	-	-	-	-	-	-	-	-	-	-	-	-	-	-	-	-	-	-	-	-	-	-	-	-	-	-	-	8551B314(6)	-	-	
THREADED 5/2 - Solenoid air pilot operated - spring return (monostable)																																					
1/4	6	0.75	12.5	2	10	10	•	-	•(4)	•	-	-	-	-	-	-	-	-	-	-	-	-	-	-	-	-	-	-	-	-	-	-	-	•551A017	-	MS	
1/4	6	0.75	12.5	0/2	10	10	-	-	-	-	-	-	-	-	•	•	-	-	-	-	-	-	-	-	-	-	-	-	-	-	-	-	-	•551A421	-	MO	
1/4	6	0.75	12.5	0/2	10	10	-	•	•	-	-	-	-	-	-	-	-	-	-	-	-	-	-	-	-	-	-	-	-	-	-	-	-	8551D421	-	MO	
1/4	6	0.75	12.5	0/2	10	10	•	•	-	-	-	•	•	-	-	-	-	-	-	-	-	-	-	-	-	-	-	-	-	-	-	-	-	•551G421	-	MO	
1/4	6	0.75	12.5	0/2	10	10	-	-	-	-	-	-	-	-	•	•	-	-	-	-	-	-	-	-	-	-	-	-	-	-	-	-	-	-	•551B417	-	MO
1/4	6	0.75	12.5	0/2	10	10	-	•	•	-	-	-	-	-	-	-	-	-	-	-	-	-	-	-	-	-	-	-	-	-	-	-	-	G551D417	-	MO	
1/4	6	0.75	12.5	2	10	8.2	•	•	-	-	-	•	•	-	-	-	-	-	-	-	-	-	-	-	-	-	-	-	-	-	-	-	-	8551G417	-	MO	
1/4	6	0.75	12.5	0/2	10	10	•	•	-	-	-	•	•	-	-	-	-	-	-	-	-	-	-	-	-	-	-	-	-	-	-	-	-	G551H417	-	MO	
1/4	6	0.75	12.5	0/2	-	10	•	-	-	-	-	-	-	-	•	•	-	-	-	-	-	-	-	-	-	-	-	-	-	-	-	-	-	-	8551A319(8)	MO	
1/4	6	0.74	12.5	2.4	-	9	-	-	-	-	-	-	-	-	-	-	-	-	-	-	-	-	-	-	-	-	-	-	-	-	-	-	-	8551B319(8)	-		
1/4	6	0.75	12.5	0/2	-	10	•	•	-	-	-	•	•	-	-	-	-	-	-	-	-	-	-	-	-	-	-	-	-	-	-	-	-	•551G319(8)	MO		
1/4	6	0.75	12.5	0/2	10	10	-	•	-	-	-	-	-	-	-	-	-	-	-	-	-	-	-	-	-	-	-	-	-	-	-	-	-	G551D419	MO		
1/4	6	0.75	12.5	0/2	10	10	•	•	-	-	-	•	•	-	-	-	-	-	-	-	-	-	-	-	-	-	-	-	-	-	-	-	-	•551G419	MO		
1/4	6	0.75	12.5	0/2	-	10	•	-	-	-	-	-	-	-	•	•	-	-	-	-	-	-	-	-	-	-	-	-	-	-	-	-	-	-	•551A321(6)	-	MO
1/4	6	0.75	12.5	0/2	-	10	-	-	-	-	-	-	-	-	-	-	-	-	-	-	-	-	-	-	-	-	-	-	-	-	-	-	-	-	8551B321(6)	-	MO
1/4	6	0.75	12.5	0/2	-	10	-	•	-	-	-	•	•	-	-	-	-	-	-	-	-	-	-	-	-	-	-	-	-	-	-	-	-	-	•551G321(6)	-	MO
1/4	6	0.75	12.5	0/2	-	10	•	-	-	-	-	•	•	-	-	-	-	-	-	-	-	-	-	-	-	-	-	-	-	-	-	-	-	-	•551B317(6)	-	MO
1/4	6	0.75	12.5	2	-	10	-	•	-	-	-	•	•	-	-	-	-	-	-	-	-	-	-	-	-	-	-	-	-	-	-	-	-	-	8551G317(6)	-	MO
1/4	6	0.75	12.5	0/3	-	10	-	•	-	-	-	•	•	-	-	-	-	-	-	-	-	-	-	-	-	-	-	-	-	-	-	-	-	-	G551H317(6)	-	MO

Asia Pacific Express Catalog-Rev2.0(1/1/2017)





SERIES 551

SPECIFICATIONS

Pipe Size	Orifice Size	Flow Coefficient Kv		Operating Pressure Differential (bar)		Prefix														No Prefix	Catalog Number			Options						
						Min. (1)		Max. (PS) Air	SC	VC	PV	WBLP	EF/VCEF ⁽²⁾⁽³⁾	EV/VCEV ⁽⁶⁾	NF/WSNF	NFET/WSNFET	JPIS/JSIS ⁽⁵⁾	JKF/JKH	HT		HC	Stainless Steel	Aluminium		Brass					
						~	=																							
THREADED 5/2 - Solenoid air pilot operated and return (Double solenoid)																														
1/4	6	0.75	12.5	2	10	10	•	-	• ⁽⁴⁾	•	-	-	-	-	-	-	-	-	-	-	-	-	-	-	-	•551A018	-	MS		
1/4	6	0.75	12.5	0/2	10	10	-	-	-	-	-	•	•	-	-	-	-	-	-	-	-	-	-	-	-	•551A422	-	MO		
1/4	6	0.75	12.5	0/2	10	10	•	•	-	-	•	•	-	-	-	-	•	•	•	•	-	-	-	-	-	•551G422	-	MO		
1/4	6	0.75	12.5	0/2	10	10	-	-	-	-	-	-	-	-	-	-	-	-	-	-	-	-	-	-	-	-	•551B418	-	MO	
1/4	6	0.75	12.5	0/2	10	10	•	•	-	-	•	-	-	-	-	-	•	•	•	•	-	-	-	-	-	-	8551G418	-	MO	
1/4	6	0.75	12.5	0/4	10	10	•	•	-	-	•	-	-	-	-	-	•	•	•	•	-	-	-	-	-	-	G551H418	-	MO	
1/4	6	0.75	12.5	0/2	-	10	-	-	-	-	-	-	-	-	-	-	-	-	-	-	-	-	-	-	-	•551A322 ⁽⁶⁾	-	MO		
1/4	6	0.75	12.5	0/2	-	10	-	-	-	-	-	-	-	-	-	-	-	-	-	-	-	-	-	-	-	8551B322 ⁽⁶⁾	-	MO		
1/4	6	0.75	12.5	0/2	-	10	-	-	-	-	-	-	-	-	-	-	-	-	-	-	-	-	-	-	-	•551G322 ⁽⁶⁾	-	MO		
1/4	6	0.75	12.5	0/2	-	10	-	-	-	-	-	-	-	-	-	-	-	-	-	-	-	-	-	-	-	-	•551B318 ⁽⁶⁾	-	MO	
1/4	6	0.75	12.5	0/2	-	10	-	-	-	-	-	-	-	-	-	-	-	-	-	-	-	-	-	-	-	-	8551G318 ⁽⁶⁾	-	MO	
1/4	6	0.75	12.5	0/3	-	10	-	-	-	-	-	-	-	-	-	-	-	-	-	-	-	-	-	-	-	-	G551H318 ⁽⁶⁾	-	-	
1/4	6	0.75	12.5	0/3	-	10	•	-	•	-	-	-	-	-	-	-	-	-	-	-	-	-	-	-	-	-	-	•551A320 ⁽⁶⁾	MO	
1/4	6	0.75	12.5	0/3	-	10	-	-	-	-	-	-	-	-	-	-	-	-	-	-	-	-	-	-	-	-	-	8551B320 ⁽⁶⁾	-	-
1/4	6	0.75	12.5	0/2	-	10	•	•	-	-	•	-	-	-	-	-	-	-	-	-	-	-	-	-	-	-	-	•551G320 ⁽⁶⁾	MO	-
1/4	6	0.75	12.5	0/2	10	10	•	•	-	-	•	-	-	-	-	-	-	-	-	-	-	-	-	-	-	-	-	•551G420	MO	-
NAMUR 3/2 NC - 5/2 - Solenoid air pilot operated - spring return (Single solenoid)																														
1/4	6	0.6	10	2	10	10	•	-	• ⁽⁴⁾	•	-	-	-	-	-	-	-	-	-	-	-	-	-	-	-	-	•551A001	-	MS	
1/4	6	0.6	10	0/2	10	10	-	-	-	-	-	-	•	•	-	-	-	-	-	-	-	-	-	-	-	-	•551B401	-	MO	
1/4	6	0.7	11.7	2	10	10	•	•	-	-	•	-	-	-	-	-	-	-	-	-	-	-	-	-	-	-	8551G401	-	MO	
1/4	6	0.6	10	0/2	10	10	-	-	•	-	-	-	-	-	-	-	-	-	-	-	-	-	-	-	-	-	•551D401	-	MO	
1/4	6	0.6	10	0/2	10	10	•	•	-	-	•	-	-	-	-	-	-	-	-	-	-	-	-	-	-	-	G551H401	-	MO	
1/4	6	0.6	10	0/2	10	10	•	•	-	-	•	•	-	-	-	-	-	-	-	-	-	-	-	-	-	-	-	G551D403	MO	-
1/4	6	0.6	10	0/2	10	10	•	•	-	-	•	•	-	-	-	-	-	-	-	-	-	-	-	-	-	-	•551G403	MO	-	
1/4	6	0.6	10	0/2	10	10	-	-	-	-	-	-	•	•	-	-	-	-	-	-	-	-	-	-	-	-	•551A409	-	MO	
1/4	6	0.6	10	0/2	10	10	-	-	•	-	-	-	-	-	-	-	-	-	-	-	-	-	-	-	-	•551D409	-	MO		
1/4	6	0.6	10	0/2	10	10	•	•	-	-	•	•	-	-	-	-	-	-	-	-	-	-	-	-	-	-	•551G409	-	MO	
1/4	6	0.7	11.7	0/2	-	10	•	-	•	-	-	-	-	-	-	-	-	-	-	-	-	-	-	-	-	-	•551B301 ⁽⁶⁾	-	MO	
1/4	6	0.7	11.7	0/2	-	10	-	-	•	-	-	-	-	-	-	-	-	-	-	-	-	-	-	-	-	-	8551G301 ⁽⁶⁾	-	MO	
1/4	6	0.7	11.7	0/3	-	10	-	-	•	-	-	-	-	-	-	-	-	-	-	-	-	-	-	-	-	-	G551H301 ⁽⁶⁾	-	MO	
1/4	6	0.6	10	0/2	-	10	•	-	-	-	-	-	-	-	-	-	-	-	-	-	-	-	-	-	-	-	•551A303 ⁽⁶⁾	MO	-	
1/4	6	0.6	10	0/2	-	10	-	-	-	-	-	-	-	-	-	-	-	-	-	-	-	-	-	-	-	-	8551B303 ⁽⁶⁾	MO	-	
1/4	6	0.7	10	2	-	10	•	•	-	-	•	-	-	-	-	-	-	-	-	-	-	-	-	-	-	-	•551G303 ⁽⁶⁾	MO	-	
1/4	6	0.6	10	0/2	-	10	•	-	•	-	-	-	-	-	-	-	-	-	-	-	-	-	-	-	-	-	•551A309 ⁽⁶⁾	-	MO	
1/4	6	0.6	10	0/2	-	10	-	-	-	-	-	-	-	-	-	-	-	-	-	-	-	-	-	-	-	-	•551B309 ⁽⁶⁾	-	MO	
1/4	6	0.6	10	0/2	-	10	-	-	•	-	-	-	-	-	-	-	-	-	-	-	-	-	-	-	-	-	•551G309 ⁽⁶⁾	-	MO	
NAMUR 3/2 NC - 5/2 - Solenoid air pilot operated and return (Double Solenoid)																														
1/4	6	0.6	10	2	10	10	•	-	• ⁽⁴⁾	•	-	-	-	-	-	-	-	-	-	-	-	-	-	-	-	-	•551A002	-	MS	
1/4	6	0.6	10	0/2	10	10	-	-	-	-	-	-	-	-	-	-	-	-	-	-	-	-	-	-	-	-	•551B402	-	MO	
1/4	6.4	0.7	11.7	0/2	10	8.2	•	•	-	-	•	-	-	-	-	-	-	-	-	-	-	-	-	-	-	-	8551G402	-	MO	
1/4	6.4	0.7	11.7	0/2	10	8.2	•	•	-	-	•	-	-	-	-	-	-	-	-	-	-	-	-	-	-	-	G551H402	-	MO	
1/4	6	0.6	10	0/2	-	10	•	-	-	-	-	-	-	-	-	-	-	-	-	-	-	-	-	-	-	-	-	G551A304 ⁽⁶⁾	MO	-
1/4	6	0.7	11.7	2	-	9	-	-	-	-	-	-	-	-	-	-	-	-	-	-	-	-	-	-	-	-	-	8551B304 ⁽⁶⁾	-	-
1/4	6	0.6	10	0/2	-	10	•	•	-	-	•	-	-	-	-	-	-	-	-	-	-	-	-	-	-	-	-	•551G304 ⁽⁶⁾	-	-
1/4	6	0.6	10	0/2	10	10	•	•	-	-	•	•	-	-	-	-	-	-	-	-	-	-	-	-	-	-	•551G404	MO	-	
1/4	6	0.6	10	0/2	10	10	-	-	-	-	-	-	-	-	-	-	-	-	-	-	-	-	-	-	-	-	-	-	MO	-
1/4	6	0.6	10	0/2	10	10	•	•	-	-	•	•	-	-	-	-	-	-	-	-	-	-	-	-	-	-	•551A410	-	MO	
1/4	6	0.6	10	0/2	10	10	•	•	-	-	•	•	-	-	-	-	-	-	-	-	-	-	-	-	-	-	•551G410	-	MO	
1/4	6	0.6	10	0/2	-	10	•	-	•	-	-	-	-	-	-	-	-	-	-	-	-	-	-	-	-	-	•551B302 ⁽⁶⁾	-	MO	
1/4	6	0.7	11.7	2	-	10	-	-	•	-	-	-	-	-	-	-	-	-	-	-	-	-	-	-	-	-	8551G302 ⁽⁶⁾	-	MO	
1/4	6	0.6	10	0/2	-	10	-	-	•	-	-	-	-	-	-	-	-	-	-	-	-	-	-	-	-	-	G551H302 ⁽⁶⁾	-	MO	
1/4	6	0.6	10	0/2	-	10	•	-	•	-	-	-	-	-	-	-	-	-	-	-	-	-	-	-	-	-	•551A310 ⁽⁶⁾	-	MO	
1/4	6	0.6	10	0/2	-	10	-	-	•	-	-	-	-	-	-	-	-	-	-	-	-	-	-	-	-	-	•551B310 ⁽⁶⁾	-	MO	
1/4	6	0.6	10	0/2	-	10	-	-	•	-	-	-	-	-	-	-	-	-	-	-	-	-	-	-	-	-	•551G310 ⁽⁶⁾	-	MO	

- Available Express
- (1) Zero minimum is only achieved if external pressure is applied
- (2) ATEX certified VCEF & VCEV come with TPL24062
- (3) Please refer to the page 69 for VCEF installation; EF/VCEF for aluminum body only, EF/VCEF with SS body replaced by EV/VCEV
- (4) TPL 20787 also available
- (5) For JPIS/JSIS 551 with single solenoid, operating pressure differential is 2.4 to 9 bar. For JPIS/JSIS 551 with double solenoids, operating pressure differential is 2 to 9 bar.
- (6) DC only
- Stands for options "8" for NPT port thread and "G" for BSP port thread





SERIES 551

PREFIX TABLE

Prefix							Description	Power Level		
1	2	3	4	5	6	7		RP	MP	BP
E	F						Explosionproof - NEMA 7, 9 - Zinc plated steel conduit	-	-	•
V	C	E	F				Flameproof/Encapsulated - Aluminium NEPSI (GB3836)	•	-	•
V	C	E	V				Flameproof/Encapsulated - 316L SS NEPSI (GB3836)	•	-	•
P	V						Encapsulated epoxy moulded (EN/IEC 60079-18, 61241-18)*	-	-	•
S	C						Solenoid with spade plug connector (EN/IEC 60730)	-	-	•
N	F						Flameproof - Aluminium (EN/IEC 60079-1, 60079-31)*	-	-	•
W	S	N	F				Flameproof - 316L SS (EN/IEC 60079-1, 60079-31)*	-	-	•
W	B	L	P				I.S./encapsulation with PBT IP67 enclosure (EN/IEC 60079-7+18+21)	•	-	-
				H	T		Class H - High temperature, +80°C ambient temp.	-	-	•
J	P	I	S				Aluminum Junction Box with 1/2" NPT Conduit	-	-	-
J	S	I	S				316L SS Junction Box with 1/2" NPT Conduit	-	-	-
J	K	F					Class F High Temperature Spade or Screw Terminal Coils	-	-	-
J	K	H					Class H High Temperature Spade or Screw Terminal Coils	-	-	•
						X	Other special constructions	-	-	•

SUFFIX TABLE

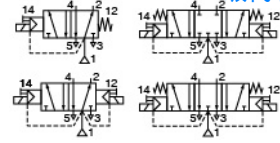
Suffix							Description	Power Level		
1	2	3	4	5	6	7		RP	MP	BP
			M	O			Push type manual operator	-	-	•



SOLENOID VALVES

pilot operated, spool type
single solenoid
aluminium body, 1/2"

一级代理商



5/2
Series
553



FEATURES

- The monostable spool valves have TÜV-EXIDA certified IEC 61508 functional safety data and can be used up to SIL 4 (551/TÜV)-SIL 3 (552-553/EXIDA)
- All the exhaust ports of this spool valve are connectable, providing better environmental protection, particularly recommended for sensitive areas such as clean rooms, and applications in the pharmaceutical and food processing sectors
- The valve offers environmental protection against the ingress of liquids, dusts or any other foreign matter (environmentally-protected construction)
- Can be externally piloted (external air pilot supply) to convert valve to zero minimum operation by flipping a gasket
- The solenoid valves satisfy all relevant EC Directives



STANDARD VOLTAGES

DC (=) :	24V; 125V(HC)
AC (-) : SC, VC, EF/VCEF, EV/VCEV, Redhat II	110V/50Hz-120V/60Hz; 220V/50Hz-240V/60Hz
NF/WSNF	115V/50Hz; 120V/60Hz; 230V/50Hz

SPECIFICATIONS

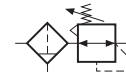
Pipe Size	Orifice Size	Flow Coefficient Kv		Operating Pressure Differential (bar)			Power Level	Prefix					No Prefix	Catalog Number	Options
				Min. (1)	Max. (PS)			SC	PV	EF/VCEF ⁽²⁾⁽³⁾	NF/WSNF	NFET/WSNFET			
					~	=									
1/2	13	3.15	52.5	0/2	10	10	BP	-	•	-	•	•	-	❖553A417	SL
1/2	13	3.15	52.5	0/2	10	10	BP	•	-	•	-	-	•	❖553G417	-
1/2	13	3.15	52.5	0/2	10	10	LP	•	•	-	•	•	-	❖553A317 ⁽²⁾	SL
1/2	13	3.15	52.5	0/2	10	10	LP	-	-	•	-	-	•	❖553G317 ⁽²⁾	-
1/2	13	3.15	52.5	0/2	10	10	LP	-	-	•	-	-	•	❖553H317 ⁽²⁾	-

- Available Express
- ❖ Stands for options "8" for NPT port thread and "G" for BSP port thread
- (1) Zero minimum is only achieved if external pressure is applied
- (2) DC only



FILTER REGULATOR

stainless steel 316L
compact 1/4", high flow 1/4" - 1/2"



Series
342

FEATURES

- Stainless steel filter, regulator and filter regulator intended for corrosive environment and suitable for use in potentially explosive atmosphere caused by gases, vapours, mists and / or dust according to: (ATEX directive 2014/34/EU).

SAFETY CODE:

- II 2GD IIC T100°C (T5), with 90°C ambient temperature
- II 2GD IIC T85°C (T6), with 75°C ambient temperature (ZONE 1-21) Explosion group IIC
- Functional safety: IEC 61508, SIL certified
- Comply with the European essential health and safety requirements (EN13643-1)
- All internal metal parts made of 316 / 316L stainless steel
- Built-in overpressure relieving function, non-relieving option available
- 316L Stainless steel body, bonnet and bowl
- Internal springs made of INCONEL® to suit sour gas environment complying to NACE MR0175 / ISO 15156*

* Available for High Flow SSFR as an option

INCONEL is trademark of the Special Metals Corporation group of companies



PRODUCT CODE

342 A 8 0 0 1 AD

Product Series
342

Revision Letter
A = Initial release

F/R/FR Type
8 = SS filter regulator (FR)

Pressure Relief/Vent Hole
2 = ØM5 Thread

Certifications & Approvals
0 = ATEX 1/21 Only

Options

- AD = Automatic drain
- AN = Automatic drain with 1/8" NPT Adapter
- G = 316 SS pressure gauge ^{(1) (2)}
- MB = 316L SS mounting bracket ⁽²⁾
- AD + AN is not a possible combination

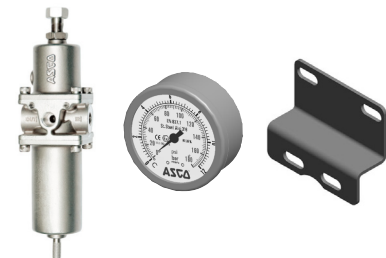
⁽¹⁾ For Compact SSFR, a 316 SS pressure gauge with Ø50mm dial and 1/8" NPT gauge port will be delivered.
⁽²⁾ Not mounted onto the product. Separate packaging.

Filtration/Port Size

- 1 = High flow 1/4" NPT 25 µm or regulator only
- 3 = High flow 1/2" NPT 25 µm or regulator only
- 5 = High flow 1/4" NPT 5 µm
- 7 = High flow 1/2" NPT 5 µm
- 9 = Compact basic flow 1/4" NPT 25 µm
- B = Compact basic flow 1/4" NPT 5 µm

ORDERING EXAMPLE

- High-Flow stainless steel filter regulator (1/4 NPT, 25 µm filtration) with auto drain, pressure gauge & mounting bracket
 - Product Code: 342A8201ADGMB
- Compact low temperature stainless steel filter regulator (1/4 NPT, 25 µm filtration) with low temperature pressure gauge & mounting bracket
 - Product Code: 342A8209GLTMB



MAXIMUM FLOW VALUES

Construction Type	Maximum Flow Values Following ISO Standards 5782, 6358 and 6953	Compact		High Flow			
		Litres Per Minute (ANR)					
		1/4 NPT		1/4 NPT		1/2 NPT	
		5 µm	25 µm	5 µm	25 µm	5 µm	25 µm
Filter	Inlet pressure = 6.3 bar and Δ P = 1 bar	-	-	1780	2600	1800	3300
Regulator	Inlet pressure = 10 bar, setpoint = 6.3 bar and Δ P = 1 bar	-	-	3120		7800	
Filter Regulator	Inlet pressure = 10 bar, setpoint = 6.3 bar and Δ P = 1 bar	1280	1400	2380	2450	3920	4430



SOLENOID PILOTS

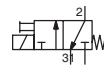
direct operated
ISO 15218 (CNOMO, size 30) interface

3/2

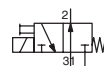
Series

X189

NC



NO



FEATURES

- CNOMO pad-mount version for valve piloting applications
- Compact size and low weight for easy installation on single or joinable subbases
- AC/DC interchangeability of the solenoid operator without any need for disassembly of the valve
- Flexible installation on joinable subbases
- Manual operator as standard
- The solenoid valves satisfy all relevant EC directives



STANDARD VOLTAGES

DC (=) : 12V-24V-48V

AC (-) : 115V/50-60Hz; 230V/50-60Hz

SPECIFICATIONS

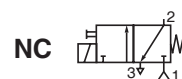
Pipe Size	Orifice Size		Flow at 6 bar l/min (ANR)		Flow Coefficient Kv		Operating Pressure Differential (bar)			Power Coil (W)		Catalog Number	
	1→2	2→3	1→2	2→3	1→2	2→3	Min.	Max. (PS)		~	=	with Connector	without Connector
	(mm)	(mm)			(l/min)	(l/min)		Air					
pad mounting	1.2	1.5	50	56	0.7	0.8	0	10	10	2.5	3	X18900001 TPL 24065	X18900002 TPL 24065

NC - Normally closed

SOLENOID PILOTS

direct operated
ISO 15218 (CNOMO, size 30) interface

3/2
Series
190



FEATURES

- Size 30 CNOMO pilot adapted for the piloting of actuators or spool valves
- Version with M12 connection, integrated Led and protection
- Manual operator as standard

STANDARD VOLTAGES

DC (=) : 24V



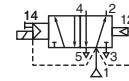
SPECIFICATIONS

Orifice Size (mm)	Flow				Allowable Differential Pressure (bar)		Catalog Number
	at 6 bar l/min (ANR)		Coefficient Kv		Min.	Max.	
	1→2	2→3	1→2	2→3			with DIN Connector
1.6	70	84	1	1.2	0	10	19000006



MINI SPOOL VALVES

solenoid air operated
G1/4 tapped body
adaptable on joinable subbases



5/2
Series
521

FEATURES

- Mini spool valve, ideal for piloting pneumatic cylinders
- Can be mounted on joinable subbase for manifold applications
- G1/4 tapped body

STANDARD VOLTAGES

DC (=) : 24V

AC (-) : 230V/50Hz



SPECIFICATIONS

Operators	Voltages	Response Time (ms)		Catalog Number
		Energized	De-energized	
Differential Return	24VDC	20	30	52100001
Differential Return	230V / 50 Hz	20	30	52100004



MULTIFUNCTION SPOOL VALVE

solenoid air operated
ISO 5599/1 subbase-mounted body
size 1-2-3

5/2-5/3
Series
541-543

FEATURES

- Reliability: long service life of 30 million cycles
- Choice of internal / external supply with selector seals (vacuum to -0.95 bar)
- Modular assembly with joinable subbases
- High flow to control large actuators
- Flow rate (ISO 1- 1400L/min; ISO 2-2800L/min; ISO 3-4200L/min)



SPECIFICATIONS

Function	Operator	Size	Pilot Pressure (bar)		Valve Body Catalog Number
			Min.	Max.	
	2/5 Single Pilot(14) Spring return (12)	ISO 1	3	10	54191023
		ISO 2	2.5		54292023
		ISO 3	3		54391023
	2/5 Single Pilot(14) Air return (12)	ISO 1	1.5		54191025
		ISO 2	1.5		54292025
		ISO 3	1.5		54391025
	2/5 Double Double Pilot(14) - (12) Air return (12)	ISO 1	1.5	54191027	
		ISO 2	1.5	54292027	
		ISO 3	1.5	54391027	

Pilot Solenoid Valve	Code	Power	Manual Opreator	Air Opreator Interface	
189 series	X18900001 TPL 24065	24VDC, 115/50-60 VAC, 230/50-60VAC	Maintained		88100074
190 series	19000006	24CDC		Blanking Plate	88100073

JOINABLE BASES WITH SIDE PORTS

Size	Description	Part No.
ISO 1	Joinable subbase with side ports	355 00 088
	Set of 2 end plates	355 00 087
ISO 2	Joinable subbase with side ports	355 00 102
	Set of 2 end plates	355 00 101
ISO 3	Joinable subbase with side ports	355 00 173
	Set of 2 end plates	355 00 174

SINGLE BASES WITH SIDE PORTS

Type	Port Size	Part No.
ISO 1	G 1/4"	35500076
	G 3/8"	35500382
ISO 2	G 3/8"	35500560
	G 1/2"	35500562
ISO 3	G 1/2"	35500171
	G 3/4"	35500192



CYLINDERS WITH TIE RODS

Ø 32 to 200 mm - double acting
ISO 15552

Series
450

FEATURES

• The 450 Series is an aluminum body with stainless steel tie rod air cylinder line that is designed to meet all ISO 15552 requirements. The 450 Series offers an extensive range of accessories allowing easy installation for virtually every application. This durable tie rod cylinder design allows customers to achieve maximum productivity desired with low friction.



GENERAL

Detection	Equipped for magnetic position detectors
Fluid	Air or inert gas, filtered, lubricated or not
Operating Pressure	10 bar, max. [1 bar = 100 kPa]
Ambient Temperature	-20°C to +70°C
Optimal Max. Speed	≤ 1 m/s
Standards	ISO 15552

CONSTRUCTION

Barrel	Hard anodized aluminium alloy	
Tie Rods	Stainless steel (Ø32-100), steel (Ø125-200)	
Front and Rear Ends	Aluminium alloy	
Bearing	Self-lubricating metal	
Cushioning Seals	PUR (polyurethane)	
Cushioning	Pneumatic, adjustable from both sides with captive screw	
Rod	Hard chromed steel	
Rod Nut	Galvanised steel	
Piston	Ø 32 to 80 mm	POM (polyacetal)
	Ø 100 to 200 mm	Light alloy
	Fitted with an annular reed magnet	
Piston Seals	PUR (polyurethane)	

HOW TO ORDER

15-DIGIT PRODUCT CODE

G 450 A - S K - - - - A00

Thread connection
G = ISO 16030

Product series
450

Revision letter
A = Initial release

Diameter (mm)
3 = 32 1 = 100
4 = 40 P = 125
5 = 50 Q = 160
6 = 63 R = 200
8 = 80

Options
A00 = Without

Recommended standard strokes (mm) ⁽¹⁾

Rod options 2
K = No option

Rod options 1
S = Chromed single rod
2 = Through rod

Ø mm	Connect. Ø (G)	25	50	80	100	125	160	200	250	320	400	500	630	700	800	900	1000	1500	Max. Stroke	
32	G1/8	•	•	•	•	•	•	•	•	•	•	•	•	•	•	•	•	•	•	2000
40	G1/4	•	•	•	•	•	•	•	•	•	•	•	•	•	•	•	•	•	•	2000
50	G1/4	•	•	•	•	•	•	•	•	•	•	•	•	•	•	•	•	•	•	2000
63	G3/8	•	•	•	•	•	•	•	•	•	•	•	•	•	•	•	•	•	•	2000
80	G3/8	•	•	•	•	•	•	•	•	•	•	•	•	•	•	•	•	•	•	2000
100	G1/2	•	•	•	•	•	•	•	•	•	•	•	•	•	•	•	•	•	•	2000
125	G1/2	•	•	•	•	•	•	•	•	•	•	•	•	•	•	•	•	•	•	2000
160	G3/4	•	•	•	•	•	•	•	•	•	•	•	•	•	•	•	•	•	•	2000
200	G3/4	•	•	•	•	•	•	•	•	•	•	•	•	•	•	•	•	•	•	2000

■ Strokes range available up to "max. stroke" column on the right.
Please note strokes marked in grey exceed the maximum recommended.
(1) Other strokes on request. / Min. stroke: 5 mm



CYLINDERS WITH PROFILED BARREL

Ø 32 to 100 mm - double acting
ISO 15552
with pneumatic cushioning

Series
453

FEATURES

- The 453 Series is an aluminum body air cylinder that is designed to meet all ISO 15552 requirements. The 453 Series is a lighter and modern-looking cylinder with a sturdy tie rod design inside for optimal technical performance.



GENERAL

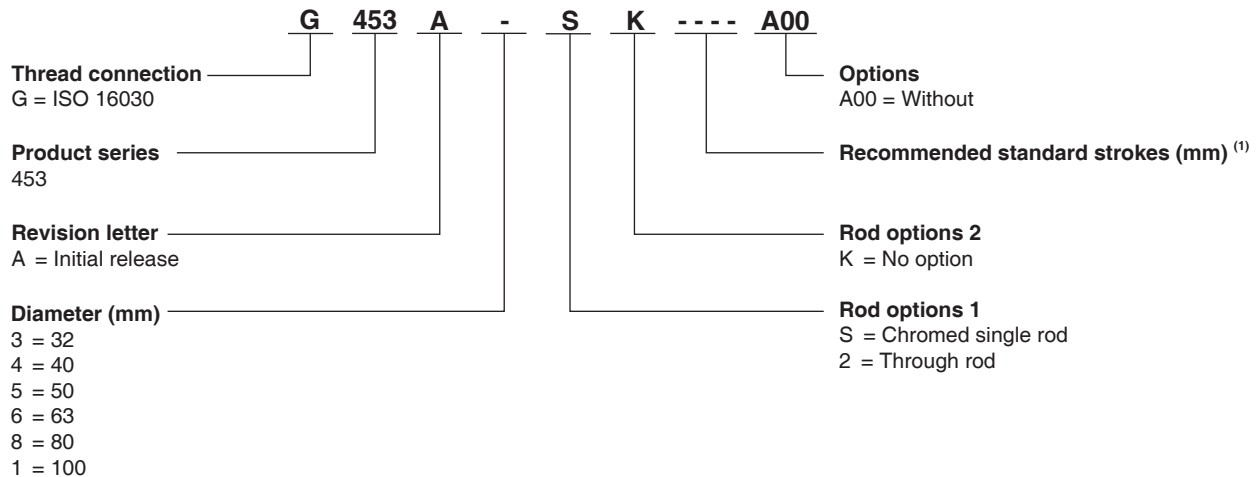
Detection	Equipped for magnetic position detectors
Fluid	Air or inert gas, filtered, lubricated or not
Operating Pressure	10 bar, max. [1 bar = 100 kPa]
Ambient Temperature	-20°C to +70°C
Optimal Max. Speed	≤ 1 m/s
Standards	ISO 15552

CONSTRUCTION

Barrel	Hard anodized aluminium alloy	
Front and Rear Ends	Aluminium alloy	
Bearing	Self-lubricating metal	
Cushioning Seals	PUR (polyurethane)	
Cushioning	Pneumatic, adjustable from both sides with captive screw	
Rod	Hard chromed steel	
Rod Nut	Galvanised steel	
Piston	Ø 32 to 80 mm	POM (polyacetal)
	Ø 100	Light alloy
	Fitted with an annular permanent magnet	
Piston Seals	PUR (polyurethane)	

HOW TO ORDER

15-DIGIT PRODUCT CODE



Ø mm	Connect. Ø (G)	25	50	80	100	125	160	200	250	320	400	500	630	700	800	900	1000	1500	Max. Stroke	
32	G1/8	•	•	•	•	•	•	•	•	•	•	•	•	•	•	•	•	•	•	2000
40	G1/4	•	•	•	•	•	•	•	•	•	•	•	•	•	•	•	•	•	•	2000
50	G1/4	•	•	•	•	•	•	•	•	•	•	•	•	•	•	•	•	•	•	2000
63	G3/8	•	•	•	•	•	•	•	•	•	•	•	•	•	•	•	•	•	•	2000
80	G3/8	•	•	•	•	•	•	•	•	•	•	•	•	•	•	•	•	•	•	2000
100	G1/2	•	•	•	•	•	•	•	•	•	•	•	•	•	•	•	•	•	•	2000

■ Strokes range available up to "max. stroke" column on the right.
Please note strokes marked in grey exceed the maximum recommended.
(1) Other strokes on request. / Min. stroke: 5 mm



FEATURES

- Solenoid air pilot actuated
- Low wattage .8 wall for DC application
- DC solenoids polarity insensitive with surge suppression
- Plug together circuit boards eliminate internal wiring
- Integral recessed gaskets
- In fittings to accommodate various tube sizes
- Simple conversion from internal to external pilot
- IP65 Certified
- Shut off block for individual valve to be isolated from pressure supply during operation and repair
- G3/580 Fieldbus capability



STANDARD VOLTAGES

DC (=) : 24V

SPECIFICATIONS

Port Type	Product Series	Product Type	Mounting	Port Size	Wiring Option	Options	Interface	Catalog Number
Metric Thread	501	Manifold Sub Base	Manifold Sub Base, 4 Stations, Side Ports, Double Z-Board	M7 (Threaded only)	Plug-In, Receptacle Assembly	Standard	Proprietary	H501AMM4BMA0010
Push-In Fittings	501	Manifold Sub Base	Manifold Sub Base, 4 Stations, Side Ports, Double Z-Board	6 mm (Push-In Fittings only)	Plug-In, Receptacle Assembly	Standard	Proprietary	K501AMM4FMA0010
No Port Size	501	Sandwich function	Proprietary Sandwich Shut Off Kit	No Port Size	Plug-In	Standard	Proprietary	R501AY428501001

Product Series	Actuation	Valve Type	Function	Port Size	Electrical	Options	Catalog Number
501	n/a	Blank Station Plate	Blank Station Plate Kit	No Port Size	Plug-in	Standard	P501AB429685001
501	Rubber Packed	Solenoid Pilot with Flush Non-Locking Override	2 Position 4-Way (5/2), Spring Return	No Port Size	Plug-in, w/ Light, VDC	Flush Locking Manual Override	R501A2B10M11BF1
501	Rubber Packed	Solenoid Pilot with Flush Non-Locking Override	2 Position 4-Way (5/2), Dual Solenoid	No Port Size	Plug-in, w/ Light, VDC	Flush Locking Manual Override	R501A2B40M11BF1
501	Rubber Packed	Solenoid Pilot with Flush Non-Locking Override	Dual 3-way, A normally closed - B normally closed	No Port Size	Plug-in, w/ Light, VDC	Flush Locking Manual Override	R501A2BD0M11BF1

MANIFOLD ASSEMBLY HOW TO ORDER

K 501 A V 3 D 1 0 0 V A00

Port Type _____
G = ISO228/1-G
K = Push-In fittings

Product Series _____
501 = 11 mm Valve

Revision _____
A = Initial release

Product Type _____
V = Valve manifold assembly

Electronics _____
3 = G3 Fieldbus
8 = 580 Fieldbus

Number of Valve Stations _____
D = 4
H = 8
L = 12
P = 16

Options
MUF = Muffler in end plates
DWM = DIN rail with MUF

End Plate Style
V = Vertical

Second Valve Series
0 = No second valve series

Second Valve Series Port Size
0 = No second valve series

End Plate Port Size - Supply and Exhaust
1 = 1/8 (NPTF and G thread only)
H = 8mm (5/16) (Push in fittings only)

Note: Manifold assembly maximum 3 pcs order quantity for express delivery, if more than 3 pcs please contact factory for lead time confirmation.



SOLENOID VALVES

air pilot actuated / spool & sleeve and rubber
G1/4 & 8mm push-in fitting with 26mm wide
G3/580 fieldbus capability

5/2-5/3

Series

503

FEATURES

- Solenoid air pilot actuated
- Low wattage - 1.7 watt for DC application
- DC solenoids polarity insensitive with surge suppression
- Plug together circuit boards eliminate internal wiring
- Integral recessed gaskets
- In fittings to accommodate various tube sizes
- Simple conversion from internal to external pilot
- IP65 Certified
- Shut off block for individual valve to be isolated from pressure supply during operation and repair
- G3/580 fieldbus capability



STANDARD VOLTAGES

DC (=) : 24V

SPECIFICATIONS

Port Type	Product Series	Product Type	Mounting	Port Size	Wiring Option	Options	Interface	Catalog Number
ISO228/1-G	503	Manifold Base	Manifold Base, 2 Stations, Side Ports, Double Z-Board	1/4	Plug-in, Receptacle Assembly	Standard	Proprietary	G503AMM22MA0010
Push-in Fittings	503	Manifold Base	Manifold Base, 2 Stations, Side Ports, Double Z-Board	8 mm	Plug-in, Receptacle Assembly	Standard	Proprietary	K503AMM2HMA0010

Product Series	Actuation	Valve Type	Function	Port Size	Electrical	Options	Catalog Number
503	n/a	Blank Station Plate	Blank Station Plate Kit	No Port Size	Plug-in	Standard	P503AB428359001
503	Spool and Sleeve	Solenoid Pilot with Flush Non-Locking Override	2 Position 4-Way (5/2), Spring Return	No Port Size	Plug-in, w/ Light, VDC	Flush Locking Manual Override	R503A1B10M11BF1
503	Spool and Sleeve	Solenoid Pilot with Flush Non-Locking Override	2 Position 4-Way (5/2), Dual Solenoid	No Port Size	Plug-in, w/ Light, VDC	Flush Locking Manual Override	R503A1B40M11BF1
503	Rubber Packed	Solenoid Pilot with Flush Non-Locking Override	2 Position 4-Way (5/2), Spring Return	No Port Size	Plug-in, w/ Light, VDC	Flush Locking Manual Override	R503A2B10M11BF1
503	Rubber Packed	Solenoid Pilot with Flush Non-Locking Override	2 Position 4-Way (5/2), Dual Solenoid	No Port Size	Plug-in, w/ Light, VDC	Flush Locking Manual Override	R503A2B40M11BF1
503	Rubber Packed	Solenoid Pilot with Flush Non-Locking Override	3 Position 4-Way (5/3), Blocked Center	No Port Size	Plug-in, w/ Light, VDC	Flush Locking Manual Override	R503A2B60M11BF1
503	n/a	Sandwich function	Proprietary Sandwich Shut Off Kit	No Port Size	Plug-in	Standard	R503AY426707002

MANIFOLD ASSEMBLY HOW TO ORDER

G 503 A V 3 B 3 0 0 V A00

<p>Port Type</p> <p>G = ISO228/1-G K = Push-In fittings</p> <p>Product Series</p> <p>503 = 26 mm valve</p> <p>Revision</p> <p>A = Initial release</p> <p>Product Type</p> <p>V = Valve manifold assembly</p> <p>Electronics</p> <p>3 = G3 Fieldbus electronics 8 = 580 Fieldbus</p>	<p>Options</p> <p>MUF = Muffler in end plates DWM = DIN rail with MUF</p> <p>End Plate Style</p> <p>V = Vertical</p> <p>End Plate Port Size</p> <p>3 = 3/8 K = 10 mm</p> <p>Number of Valve Stations</p> <table style="width: 100%; border: none;"> <tr> <td>B = 2</td> <td>J = 10</td> </tr> <tr> <td>D = 4</td> <td>L = 12</td> </tr> <tr> <td>F = 6</td> <td>N = 14</td> </tr> <tr> <td>H = 8</td> <td>P = 16</td> </tr> </table>	B = 2	J = 10	D = 4	L = 12	F = 6	N = 14	H = 8	P = 16
B = 2	J = 10								
D = 4	L = 12								
F = 6	N = 14								
H = 8	P = 16								

Note: Manifold assembly maximum 3 pcs order quantity for express delivery, if more than 3 pcs please contact factory for lead time confirmation.





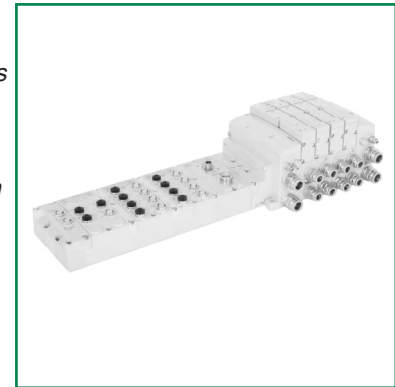
FIELDBUS ELECTRONICS

communication node and I/O
PROFIBUS DP / PROFINET / Ethernet POWERLINK

Series
G3

FEATURES

- Innovative graphic display is used for easy commissioning, visual status & diagnostics
No internal wiring simplifies assembly
- SPEEDCON M12 connector technology allows for fast and efficient ½ turn I/O connector attachment
- Power connector allows output power to be removed while inputs and communication are left active
- IP65 protection
- Up to 1200 Input/1200 Output capability with one communication node!
(Present physical I/O combinations allows 1200 I/544 O)
- 32 valve solenoids per manifold, up to 17 manifolds/branch per communication node!
- One node supports 16 I/O modules – Analog I/O, Digital I/O (NPN & PNP) and specialty
- Innovative clip design allows easy module removal/replacement without dismantling manifold
- Auto Recovery Module (ARM) protects configuration information during a critical failure. Allows configuration information to be saved and reloaded to replacement module automatically
- CE Mark



STANDARD VOLTAGES

DC (=) : 24V

SPECIFICATIONS

Product Series	Product Type	Protocol	Connector Type	Description	Catalog Number
G3	Electronics	PROFIBUS DP	5 pin M12 type (1 male and 1 female)	Replacement Code	240-239
G3	Electronics	PROFINET	Two D-coded 4 pin M12 type (female)	Replacement Code	240-240
G3	Electronics	SUB-BUS	5 pin M12 type (male)	Replacement Code	240-241
G3	Electronics	POWERLINK	Two D-coded 4 pin M12 type (female)	Replacement Code	240-309
G3	Connector	POWERLINK SUB-BUS	M12 4 Pin, Male, 90°	Power Port, PG9	MD04F20000000000
G3	Connector	PROFINET PROFIBUS DP	M12 5 Pin, Male ,90°	Power Port, PG9	MD05F20000000000
G3	Connector	POWERLINK PROFINET	M12 Straight 4 Pin Male	Communication Port, PG 9, Screw Terminal	QA04F20000000000
G3	Connector	PROFIBUS DP	M12 Straight 5 Pin, Male	Communication Port, Bus Out, PG7	RA05F200P0000000
G3	Terminating Resistor	PROFIBUS DP	M12 Straight 5 Pin, Male	Communication Port	RA05TR0000000000
G3	Connector	PROFIBUS DP	M12 Straight 5 Pin, Female	Communication Port, Bus In, PG7	RC05F200P0000000
G3	Connector	SUB-BUS	M12 90° 5 Pin, Male	Communication Port, Bus Out, PG9	TB05F20000000071V
G3	Connector	SUB-BUS	M12 90° 5 Pin, Female	Communication Port, Bus In, PG9	TD05F2000000071V

Product Series	Product Type	Singnal type	Connector Type	Remark	Catalog Number
G3	I/O Moduel	16 PNP Digital Inputs	Terminal Strip	Assembly/Replacement Code	240-203
G3	I/O Moduel	16 NPN Digital Inputs	Terminal Strip	Assembly/rReplacement Code	240-204
G3	I/O Moduel	16 PNP Digital Inputs	5-pin M12 * 8 port	Assembly/Replacement Code	240-205
G3	I/O Moduel	16 NPN Digital Inputs	5-pin M12 * 8 port	Assembly/Replacement Code	240-209

MANIFOLD ASSEMBLY HOW TO ORDER

G3 EP1 00 R 0 STD

Electronics Protocols

- PL1 = Ethernet POWERLINK®
- PT1 = PROFIBUS-DP
- PN1 = PROFINET
- DS2 = Sub-Bus valve manifold

Number of I/O Modules

- 00 = 0 09 = 9
- 01 = 1 10 = 10
- 02 = 2 11 = 11
- 03 = 3 12 = 12
- 04 = 4 13 = 13
- 05 = 5 14 = 14
- 06 = 6 15 = 15
- 07 = 7 16 = 16
- 08 = 8

Special Options

- STD = Standard
- DRM = DIN rail mounting

Modification

- 0 = Initial release

Left Mounting

- D = w/ Sub-Bus out
- R = w/ Terminating resistor

Note: Manifold assembly maximum 3 pcs order quantity for express delivery, if more than 3 pcs please contact factory for lead time confirmation.

FEATURES

- Innovative graphic display is used for easy commissioning, visual status & diagnostics no internal wiring simplifies assembly
- No internal wiring simplifies assembly
- Power connector allows output power to be removed while inputs and communication are left active
- IP65 protection
- 32 valve solenoids per manifold
- CE mark



STANDARD VOLTAGES

DC (=) : 24V

SPECIFICATIONS

Product Series	Product Type	Protocol	Connector Type	Description	Catalog Number
580	Electronics	PROFIBUS DP	5 pin M12 (1 male and 1 female)	No Options	P580AEPT1010A00
580	Electronics	PROFIBUS DP	5 pin M12 (1 male and 1 female)	DIN Rail Mount	P580AEPT1010DRM
580	Electronics	PROFINET	Two D-coded 4 pin M12 (female)	No Options	P580AEPN1010A00
580	Electronics	PROFINET	Two D-coded 4 pin M12 (female)	DIN Rail Mount	P580AEPN1010DRM
580	Connector	PROFINET	M12 Straight 4 Pin, Male	Communication Port, PG7	QA04F200R000071N
580	Terminating Resistor	PROFIBUS DP	M12 Straight 5 Pin, Male	Communication Port	RA05TR0000000000
580	Connector	PROFIBUS DP	M12 Straight 5 Pin, Male	Communication Port, Bus Out, PG7	RA05F200P00000000
580	Connector	PROFIBUS DP	M12 Straight 5 Pin, Female	Communication Port, Bus In, PG7	RC05F200P00000000
580	Connector	PROFINET PROFIBUS DP	M12 Straight 5 Pin, Male ,90°	Power Port, PG9	TD05F20000000000



SPOOL VALVES
stainless steel spool & sleeve
aluminium body
G 1/8" - G 1/4"

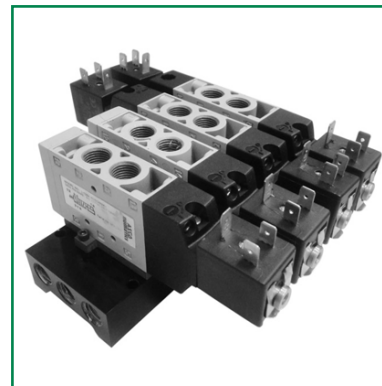
3/2-5/2
Series
HV434441

FEATURES

- Solenoid pilot
- DIN plug-in solenoid
- Unlubricated or lubricated service
- In-line or manifold mounted

STANDARD VOLTAGES

DC (=) : 12V-24V
AC (-) : 230V/50-60Hz



SPECIFICATIONS

Port Size	Valve Type	Function	Catalog Number DC Solenoid	Catalog Number AC Solenoid
G1/8	Single Solenoid Pilot, Sping Return W/Flush Locking Override	2 Position, 4-Way	HV434441-001	HV434441-004
G1/8	Double Solenoid Pilot W/Flush Locking Override	2 Position, 4-Way	HV434441-002	HV434441-005
G1/8	Double Solenoid Pilot W/Flush Locking Override	3 Position, 4-Way Closed Center	HV434441-003	HV434441-006
G1/4	Single Solenoid Pilot, Sping Return W/Flush Locking Override	2 Position, 4-Way	HV434441-101	HV434441-104
G1/4	Double Solenoid Pilot W/Flush Locking Override	2 Position, 4-Way	HV434441-102	HV434441-105
G1/4	Double Solenoid Pilot W/Flush Locking Override	3 Position, 4-Way Closed Center	HV434441-103	HV434441-106
G1/4	Double Solenoid Pilot W/Flush Locking Override	3 Position, 4-Way Open Center	HV434441-107	HV434441-108



MULTIFUNCTION SPOOL VALVES

stainless steel spool & sleeve
according to ISO 5599/1
G 1/4" - 1/2"

5/2-5/3

Series

C

FEATURES

- Compact designed valves to standard ISO 5599/1
- Solenoid pilot and air pilot actuated
- Solenoid operator with standard epoxy encapsulated coil
- 5-ported, 2 and 3 position
- Lapped spool and sleeve assembly
- Housing made from aluminium alloy
- Lubricated or unlubricated operation
- AC or DC voltage
- Electrical: IP65 w/plug-in connector
- With locking manual overrides



HOW TO ORDER

C12 BA 4 00 4 0 11B 61

Valve Series & Port Size

- C12* = ISO1 1/4"(Joinable base)
- C13 = ISO1 3/8"(Single base)
- C23* = ISO2 3/8"(Single base)
- C24 = ISO2 1/2"(Joinable base)

Valve Type

- BA = Single solenoid pilot, spring return
- BB = Double solenoid pilot

Function

- 4 = 2 Position, 4-Way
- 5 = 3 Position, 4-Way open center
- 6 = 3 Position, 4-Way closed center
- 7 = 3 Position, 4 Way-(5/3), open to 4 (A) and 2 (B) in center

Mounting

- 00 = Valve only
- 41 = Valve with side ported single base

NOTE: Order plug-in connector assembly separately (see ordering information below)

* Code use when supply valve unit only **BA & BB only

Voltage

- 30 = 110/50-60 VAC
- 40 = 230/50-60 VAC
- 61 = 24 VDC

Options

- 11B** = Standard (With locking manual override on solenoid operator)

Port Type

- 0 = Valve only
- G = G Thread

Voltage Option

- 2 = AC
- 4 = DC

SOLENOID PILOT ASSEMBLIES*

X18990001 TPL 24065



REPLACEMENT COILS*

Voltage	Order Code
24 VDC	43004869
115/50-60 VAC	43004884
230/50-60 VAC	43004886

Plug Connector Description	Part No.
Standard Connector	88122404

JOINABLE BASES WITH SIDE PORTS

Size	Description	Part No.
ISO 1	Joinable subbase with side ports	355 00 088
	Set of 2 end plates	355 00 087
ISO 2	Joinable subbase with side ports	355 00 102
	Set of 2 end plates	355 00 101

SINGLE BASES WITH SIDE PORTS

Type	Port Size	Part No.
ISO 1	G 1/4	35500076
	G 3/8	35500382
ISO 2	G 3/8	35500560
	G 1/2	35500562





MULTIFUNCTION SPOOL VALVES

stainless steel spool & sleeve
according to ISO 5599/1
G 1/4" - 3/8"

5/2
Series
HV434442

FEATURES

- Compact designed valves to standard ISO 5599/1
- Solenoid pilot and air pilot actuated
- Solenoid operator with standard epoxy encapsulated coil
- 5-ported, 2 and 3 position
- Lapped spool and sleeve assembly
- Housing made from aluminium alloy
- Lubricated or unlubricated operation
- AC or DC voltage
- Electrical: IP65 w/plug-in connector
- With locking manual overrides



STANDARD VOLTAGES

DC (=) : 24V

AC (-) : 115V/50-60Hz; 230V/50-60Hz

SPECIFICATIONS

Port Size	Valve Type	Function	Mounting	Catalog Number DC Solenoid	Catalog Number AC Solenoid
ISO1 1/4	Single Solenoid Pilot, Spring Return	2 Position, 4-Way	Valve only	HV434442-001	HV434442-002
ISO2 3/8	Double Solenoid Pilot	2 Position, 4-Way	Valve only	HV434442-101	HV434442-102



SPOOL VALVES

stainless steel spool & sleeve
aluminium body
G 1/2"

5/2-5/3

Series

J3

FEATURES

- Solenoid-pilot actuated valves
- DIN plug-in solenoid and plug connector with or without indicator light available
- Housing made from aluminium alloy
- Lubricated or unlubricated operation
- In-line (pressure ports in valve body)

STANDARD VOLTAGES

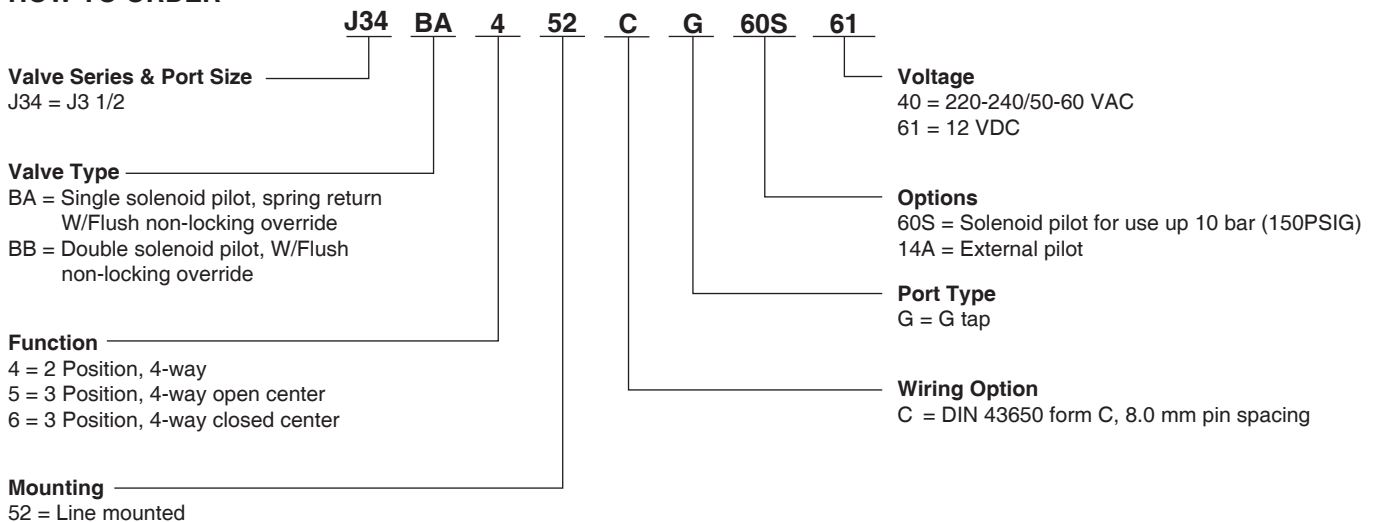
DC (=) : 24V
AC (-) : 220V-240V/50-60Hz



TECHNICAL DATA

Valve Data	English	Metric
Cv	2.5	2.5
Flow Capacity	115 SCFM @ 80 PSIG upstream pressure to atmosphere	2362 NI/m @ 6 bar upstream/ 5 bar downstream
Pressure Range	60S Option: Vacuum to 150 PSIG	Vacuum to 10 bar
	000 Option: Vacuum to 116 PSIG	Vacuum to 8 bar
Pilot Pressure	26 to 145 PSIG	1.8 to 10 bar
Temperature Range	-10°F to 115°F	-23°C to 46°C

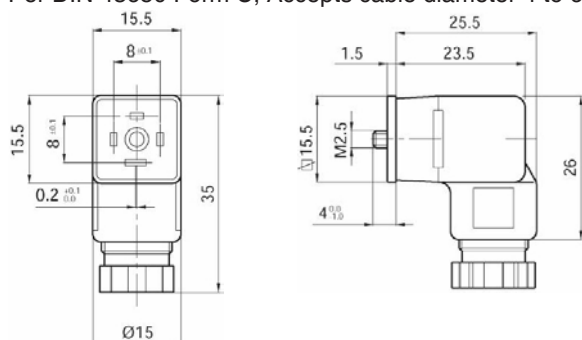
HOW TO ORDER



Note: Plug connector is NOT included with DIN solenoid. Order plug-in connector assembly separately (see ordering information below)

PLUG-IN CONNECTOR ASSEMBLIES

Per DIN 43650 Form C, Accepts cable diameter 4 to 6 mm.*



Plug Connector Description**	Part No.
Black Plug Assembly w/o Light	230-1140

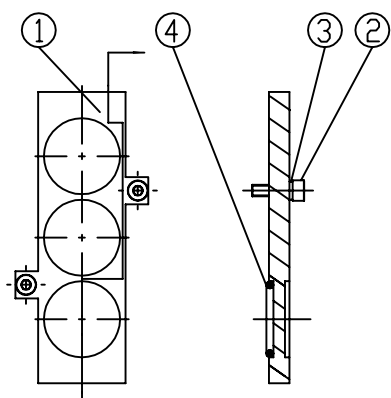
* To be sold separately
** Connectors includes screw and gasket



MANIFOLD ASSEMBLY

# STATIONS	Part No.
2 Stations	106-1443
3 Stations	106-1444
4 Stations	106-1445
5 Stations	106-1446
6 Stations	106-1447
7 Stations	106-1448
8 Stations	106-1449
9 Stations	106-1450
10 Stations	106-1451
11 Stations	106-1452
12 Stations	106-1453

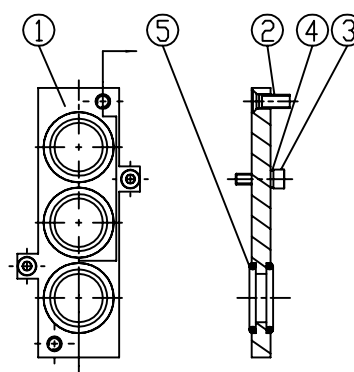
BLANK STATION PLATE KIT: 245-127



Det. No.	No. Req'd	Part Name
1	1	Blank Station Plate
2	2	Screw
3	2	Washer Spring
4	3	O-ring

* To be sold separately

ADAPTOR KIT: 244-132



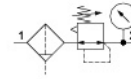
Det. No.	No. Req'd	Part Name
1	1	Blank Station Plate
2	2	Screw
3	2	Washer Spring
4	3	O-ring

* To be sold separately



PARTICULATE FILTER/REGULATOR

1/8" - 1/2"



Series

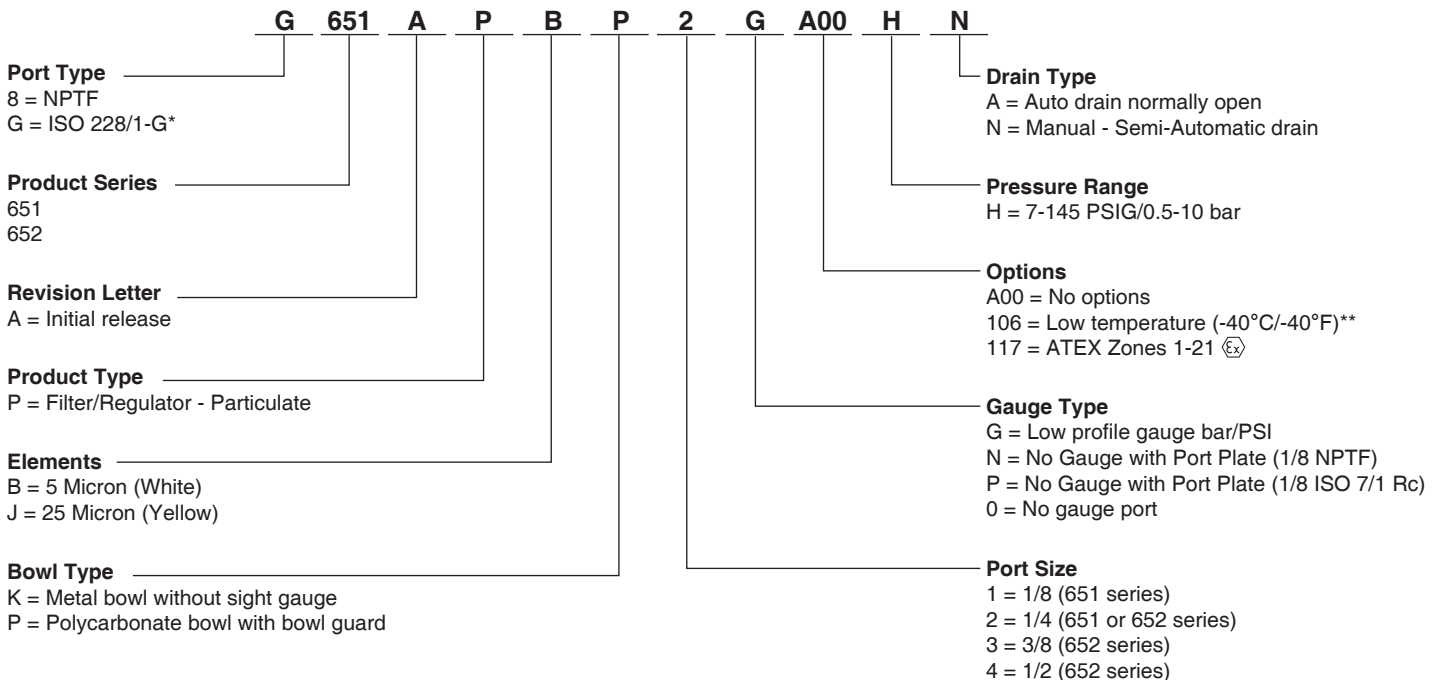
651/652

FEATURES

- High flow with a wide range of adjustable output pressure ranges
- Optional low profile gauge, round gauge, digital gauge or digital pressure switch
- Optional extended temperature range of -40°F to 176°F (-40°C to 80°C)
- Sintered polyethylene elements, with centrifugal separator, include 5 and 25 microns
- Threaded ports allow for individual or modular mounting
- Innovative two position plastic drain with manual and semi-automatic functions. Additional drains include an automatic style (brass)
- Polycarbonate and aluminum bowls with a selection of sight gauge materials that meet industry and application requirements
- Key lockable and tamper resistant models
- Air purity class according to ISO 8573-1: 2010



HOW TO ORDER



* Conforms to ISO standards 1179-1

** Compressed air must be dry enough so no ice formation is present on the product.
All bowls should be emptied prior to ambient temperatures dropping below 32°F (0°C)





SPOOL VALVES
stainless steel spool & sleeve
aluminium body
1/4" - 3/8"

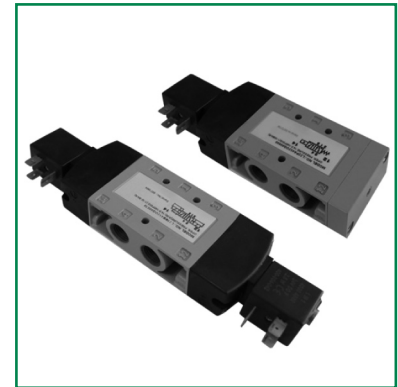
5/2-5/3
Series
YA

FEATURES

- Solenoid pilot
- DIN plug-in solenoid indicator light
- Unlubricated or lubricated service
- In-line or manifold mounted

STANDARD VOLTAGES

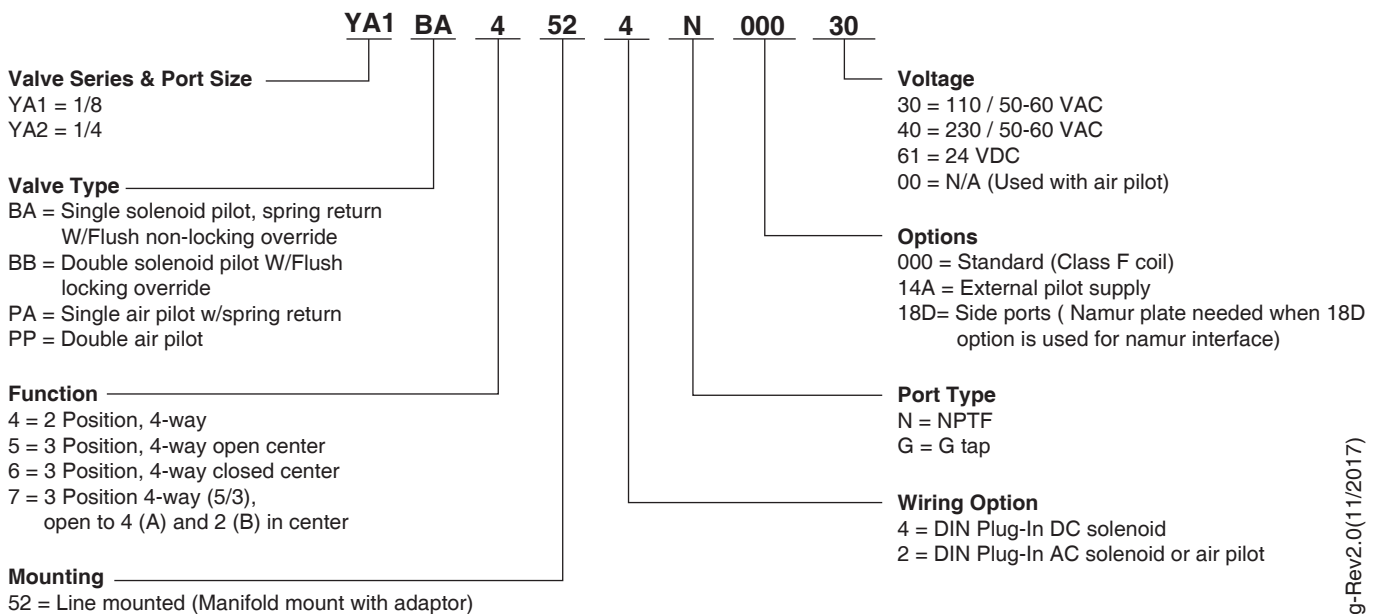
DC (=) : 24V
AC (-) : 110V-230V/50-60Hz



TECHNICAL DATA (YA)

Valve Data	English		Metric	
Cv	1/8 = 1.0	1/4 = 1.0	1/8 = 1.0	1/4 = 1.0
Flow Capacity	46 SCFM upstream pressure to atmosphere @ 80 PSIG		985 NI/m @ 6 bar upstream/5 bar downstream	
Main Valve Operating Pressure Range	28" HG. Vacuum to 150 PSIG		Vacuum to 10 bar	
Pilot Pressure Range: Internal and External	14.5 to 150 PSIG		1 to 10 bar	
Temperature Range: Solenoid Pilot (ambient)	-10°F to +115°F		-23°C to +46°C	

HOW TO ORDER

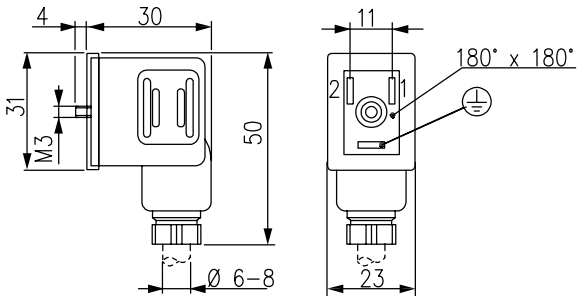


Note: Plug connector is included with DIN solenoid



SERIES YA

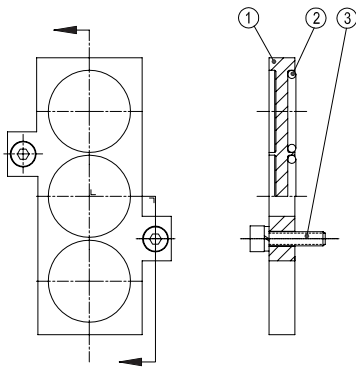
PLUG CONNECTOR ASSEMBLIES



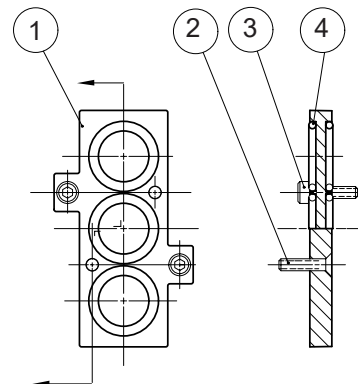
Plug Connector Description	Part No.
Black Plug Assembly	88122404

# Of Stations	Manifold Kit No		# Of Stations	Manifold Kit No	
	G 1/4			G 1/4	
2 Stations	106-1096		8 Stations	106-1102	
3 Stations	106-1097		9 Stations	106-1103	
4 Stations	106-1098		10 Stations	106-1104	
5 Stations	106-1099		11 Stations	106-1105	
6 Stations	106-1100		12 Stations	106-1106	
7 Stations	106-1101		Adaptor Kit	Order (1) adaptor kit for each station on the manifold Includes all seals and screw	

BLANK STATION PLATE KIT 239-288-SJ*



ADAPTOR KIT 239-311*



SOLENOID ASSEMBLIES*

STANDARD VOLTAGES	110/50-60 VAC	230/50-60 VAC	24 VDC
Part No.	43005069	43004886	43004869

* To be sold separately

Asia Pacific Express Catalog-Rev2.0(1/1/2017)





SPOOL VALVES

stainless steel spool & sleeve
aluminium body
1/4" - 3/8"

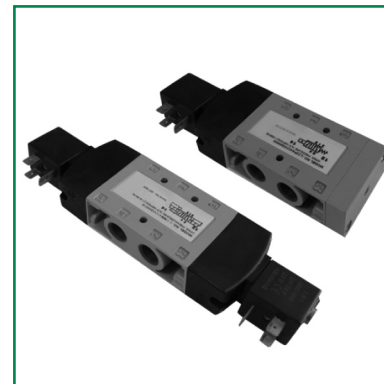
5/2-5/3
Series
YB

FEATURES

- Solenoid pilot
- DIN plug-in solenoid indicator light
- Unlubricated or lubricated service
- In-line or manifold mounted

STANDARD VOLTAGES

DC (=) : 24V
AC (-) : 110V-230V/50-60Hz



TECHNICAL DATA (YA)

Valve Data	English		Metric	
Cv	1/8 = 1.0	1/4 = 1.0	1/8 = 1.0	1/4 = 1.0
Flow Capacity	46 SCFM upstream pressure to atmosphere @ 80 PSIG		985 NI/m @ 6 bar upstream/5 bar downstream	
Main Valve Operating Pressure Range	28" HG. Vacuum to 150 PSIG		Vacuum to 10 bar	
Pilot Pressure Range: Internal and External	14.5 to 150 PSIG		1 to 10 bar	
Temperature Range: Solenoid Pilot (ambient)	-10°F to +115°F		-23°C to +46°C	

HOW TO ORDER

YB2 BA 4 52 4 G 000 30

Valve Series & Port Size

YB2 = 1/4
YB3 = 3/8

Valve Type

BA = Single solenoid pilot, spring return
W/Flush locking override
BB = Double solenoid pilot W/Flush
locking override
PA = Single air pilot w/spring return
PP = Double air pilot

Function

4 = 2 Position, 4-way
5 = 3 Position, 4-way open center
6 = 3 Position, 4-way closed center
7 = 3 Position 4-way (5/3),
open to 4 (A) and 2 (B) in center

Mounting

52 = Line mounted (Manifold mount with adaptor)

Voltage

30 = 110 / 50-60 VAC
40 = 230 / 50-60 VAC
61 = 24 VDC
00 = N/A (Used with air pilot)

Options

000 = Standard (Class F coil)
14A = External pilot supply
12B = Dry assembly

Port Type

G = G tap

Wiring Option

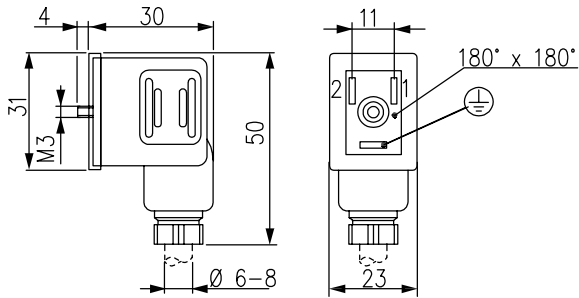
4 = DIN Plug-In DC solenoid
2 = DIN Plug-In AC solenoid or air pilot

Note: Plug connector is included with DIN solenoid



SERIES YB

PLUG CONNECTOR ASSEMBLIES



Plug Connector Description	Part No.
Black Plug Assembly	88122404

SOLENOID ASSEMBLIES*

Standard Voltages	110/50-60 VAC	230/50-60 VAC	24 VDC
Part No.	43005069	43004886	43004869

* To be sold separately

MANIFOLD

Manifold Stations	G3/8 Part No.	Manifold Stations	G3/8 Part No.
2 Stations	106-715	8 Stations	106-721
3 Stations	106-716	9 Stations	106-722
4 Stations	106-717	10 Stations	106-723
5 Stations	106-718	11 Stations	106-724
6 Stations	106-719	12 Stations	106-725
7 Stations	106-720	-	-

BLANK STATION PLATE KIT
239-417-SJ

ADAPTOR KIT
239-312





无锡艾讯自动化科技有限公司
SOLENOID VALVES
 direct acting
 brass or stainless steel bodies
 G 1/8"

一级代理商 **2/2**
 Series
L172
L176

FEATURES

- Direct acting solenoid valve.
- Suitable to shut off liquid and gaseous fluids (verify the compatibility of fluid with material in contact).
- Better performance with epoxy coil under moist & high temperature environment

STANDARD VOLTAGES

DC (=) : 24V
 AC (-) : 115V/50Hz-120V/60Hz; 230V/50-60Hz



SPECIFICATIONS

Port Size ISO 228	Orifice Size (mm)	Differential Pressure (bar) Δp Min	Δp Max				Kv (m ³ /h)	Series and Type			Power Absorption				Sealings	Weight (kg)
			Gases		Liquids			Body	Valve	Coil	AC (VA)			DC		
			AC	DC	AC	DC					Inrush VA	Holding				
												VA	VA			
G1/8	1.2	0	28	20	28	20	0.05	Brass	L172V03	ZB12AX	12	6	4	5.5	FPM	0.16
	1.6		20	12	20	12	0.08									
	2		15	6	15	6	0.11									
	2.4		12	4	12	4	0.13									
	1.2		28	20	28	20	0.05	Stainless steel	L172V07	ZB12AX	12	6	4	5.5	FPM	0.145
	1.6		20	12	20	12	0.08									
	2		15	6	15	6	0.11									
	2.4		12	4	12	4	0.13									
G1/4	1.6	0	20	12	20	12	0.08	Brass	L176V03	ZB12AX	12	6	4	5.5	FPM	0.16
	2.4		12	4	12	4	0.16									
	1.6		20	12	20	12	0.08	Stainless steel	L176V07							
	2.4		12	4	12	4	0.16									



SOLENOID VALVES
normally closed/normally open
pilot operated

FEATURES

- Diaphragm valve, pilot operated, having full orifice
- Suitable to shut off liquid and gaseous fluids (verify the compatibility of fluid with material in contact.)
- Better performance with epoxy coil under moist & high temperature environment (for N.C)
- High flow, long life
- Easy maintenance



STANDARD VOLTAGES

DC (=) : 24V
AC (-) : 115V/50Hz-120V/60Hz; 230V/50-60Hz

SPECIFICATIONS

Port Size ISO 228	Orifice Size (mm)	Differential Pressure (bar)				Kv (m ³ /h)	Series and Type		Power Absorption				Sealing	Weight (kg)			
		Δp (kg) Min	Δp Max				Valves	Coil	AC (VA)			DC W					
			Gases		Liquids				Inrush VA	Holding							
			AC	DC	AC					DC	VA				W		
NC - Normally closed, Brass body																	
G3/8	13.5	0.35	16	16	16	16	2.5	L182B01	ZB12AX	12	6	4	5.5	NBR	0.32		
G1/2	13.5		16	16	16	16	3.8								0.38		
G3/4	18		12	12	12	12	5								0.52		
G1	24		12	12	12	12	12								1.08		
G3/8	13.5		12	12	12	12	2.5	L182V01		ZB12AX	12	6	4	5.5	FPM	0.32	
G1/2	13.5		12	12	12	12	3.8									0.38	
G3/4	18		10	10	10	10	5									0.52	
G1	24		10	10	10	10	12									1.08	
G3/8	13.5		16	16	16	16	2.5	L182D01	ZB12AX		12	6	4	5.5	EPDM	0.32	
G1/2	13.5		16	16	16	16	3.8									0.38	
G3/4	18		12	12	12	12	5									0.52	
G1	24		12	12	12	12	12									1.08	
NC - Normally closed, Stainless Steel Body																	
G3/8	13.5		0.35	12	12	12	12	2.5		L182V09	ZB12AX	12	6	4	5.5	FPM	0.32
G1/2	13.5			12	12	12	12	3.8									0.38
G3/4	18			10	10	10	10	5									0.52
G1	24	10		10	10	10	12	1.08									
G3/8	13.5	16		16	16	16	2.5	L182D09	ZB12AX	12		6	4	5.5	EPDM	0.32	
G1/2	13.5	16		16	16	16	3.8									0.38	
G3/4	18	12		12	12	12	5									0.52	
G1	24	12		12	12	12	12									1.08	
NO - Normally open, Stainless Steel Body																	
G3/8	13.5	0.35		12	-	12	-	2.5		L282V09	ZB12K	11.7	10	7.6	-	FPM	0.3
G1/2	13.5			12	-	12	-	3.8									0.35
G3/4	18			10	-	10	-	5									0.5
G1	24		10	-	10	-	12	1.09									
G3/8	13.5		-	12	-	12	2.5	ZC12A	-	-		-	5.5	FPM	0.37		
G1/2	13.5		-	12	-	12	3.8								0.41		
G3/4	18		-	10	-	10	5				0.56						
G1	24		-	10	-	10	12				1.16						



SERIES L182&L282

SPECIFICATIONS

Port Size ISO 228	Orifice Size (mm)	Differential Pressure (bar)				Kv (m ³ /h)	Series and Type		Power Absorption				Sealing	Weight (kg)							
		Δp (kg) Min	Δp Max				Valves	Coil	AC (VA)			DC W									
			Gases		Liquids				Inrush VA	Holding											
			AC	DC	AC					DC	VA				W						
NO - Normally open, Brass body																					
G3/8	13.5	0.35	-	12	-	12	2.5	L282B01	ZC10A ZC12A	-	-	-	5.5	NBR	0.32						
G1/2	13.5		-	12	-	12	3.8			0.38											
G3/4	18		-	12	-	12	5			0.52											
G1	24		-	12	-	12	12			1.08											
G3/8	13.5		12	-	12	-	2.5		ZB10K ZB12K	11.7	10	7.6	-		0.32						
G1/2	13.5		12	-	12	-	3.8								0.38						
G3/4	18		12	-	12	-	5								0.52						
G1	24		12	-	12	-	12								1.08						
G3/8	13.5		-	12	-	12	2.5								L282V01	ZC10A ZC12A	-	-	-	5.5	0.32
G1/2	13.5		-	12	-	12	3.8														0.38
G3/4	18	-	10	-	10	5	0.52														
G1	24	-	10	-	10	12	1.08														
G3/8	13.5	12	-	12	-	2.5	ZB10K ZB12K	11.7	10	7.6	-	0.32									
G1/2	13.5	12	-	12	-	3.8						0.38									
G3/4	18	10	-	10	-	5						0.52									
G1	24	10	-	10	-	12						1.08									

Note: B(NBR)=Nitrile-butylene elastomer V(FPM)=Fluoro-carbon elastomer D(EPDM)=Ethylene-propylene elastomer



无锡艾迅自动化科技有限公司
SOLENOID VALVES
 normally closed
 pilot operated

一级代理商

2/2
 Series
L182 BIG

FEATURES

- Diaphragm valve, pilot operated, having full orifice
- Suitable to shut off liquid and gaseous fluids (verify the compatibility of fluid with material in contact.)
- High flow, long life
- Easy maintenance

STANDARD VOLTAGES

DC (=) : 24V

AC (-) : 220V/50Hz-240V/60Hz



SPECIFICATIONS

Port Size ISO 228	Orifice Size (mm)	Differential Pressure (bar)				Kv (m ³ /h)	Series and Type			Power Absorption			Sealings	Weight (kg)	
		Δp Min	Δp Max				Valve	Valve with Manual Override	Coil	AC (VA)		DC (W)			
			Gases		Liquids					Inrush	Holding				
			AC	DC	AC										DC
G1 1/4	30	0.50	10	10	10	10	L182BB01	L182BB02	ZA10A	23	14	9	NBR (diaphragm) FPM (actuator)	1.59	
G1 1/2	45													27	2.51
G 2	45													34	2.99
G1 1/4	30						L182VB01	L182VB02					FPM	1.59	
G1 1/2	45													27	2.51
G 2	45													34	2.99



无锡艾迅自动化科技有限公司
SOLENOID VALVES
 normally closed
 pilot operated

一级代理商

2/2
 Series
L282 BIG

FEATURES

- Diaphragm valve, pilot operated, having full orifice
- Suitable to shut off liquid and gaseous fluids (verify the compatibility of fluid with material in contact.)
- High flow, long life
- Easy maintenance

STANDARD VOLTAGES

DC (=) : 24V
 AC (-) : 220V/50-240V/60Hz



SPECIFICATIONS

Port size ISO 228	Orifice size (mm)	Differential pressure (bar)				Kv (m3/h)	Series and type		Power absorption				Sealing	Weight (kg)	
		Δp (kg) min	Δp max				Valves	Coil	AC (VA)			DC W			
			Gases		Liquids				Inrush VA	Holding					
			AC	DC	AC					DC	VA				W
NO - Normally open, Brass Body															
G1 1/4	30	0.5	10	-	10	-	15	L282B48	ZA10Y	28	20	-	-	NBR	1.59
G1 1/2	45		9	-	9	-	27								2.51
G2	45		9	-	9	-	34								2.99
G1 1/4	30		-	10	-	10	15								1.59
G1 1/2	45		-	9	-	9	27								2.51
G2	45		-	9	-	9	34								2.99

Note: B(NBR)=Nitrile-butylene elastomer



无锡艾迅自动化科技有限公司
SOLENOID VALVES
 direct acting
 brass or stainless steel bodies
 G 1/8"

一级代理商
3/2
 Series
L372
L376

FEATURES

- Direct acting solenoid valve
- Suitable to shut off liquid and gaseous fluids (verify the compatibility of fluid with material in contact)
- Better performance with epoxy coil under moist & high temperature environment

STANDARD VOLTAGES

DC (=) : 24V
 AC (-) : 115V/50Hz-120V/60Hz; 230V/50-60Hz



SPECIFICATIONS

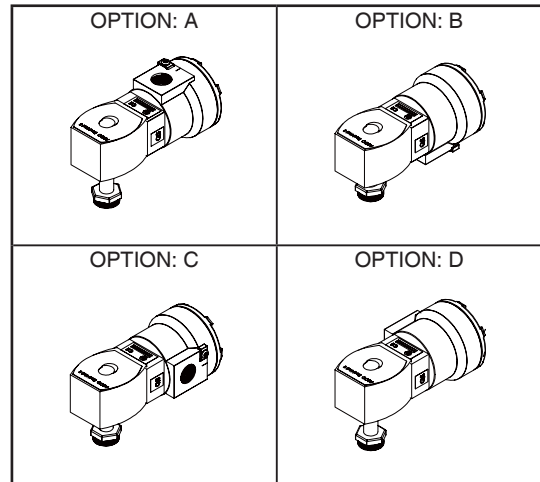
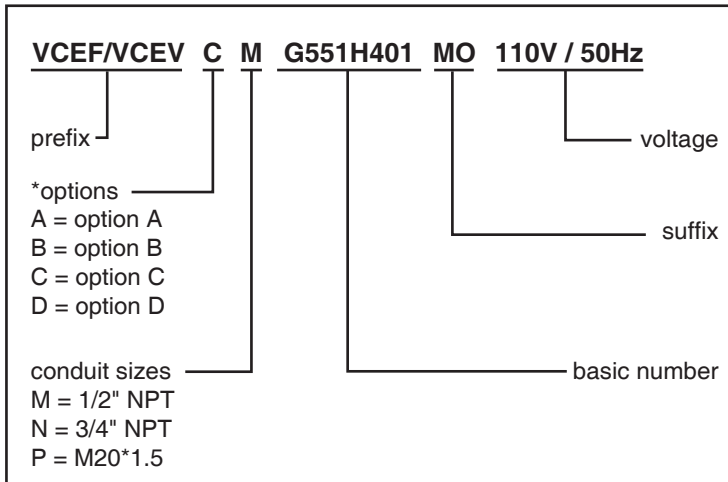
Port Size ISO 228	Orifice Size (mm)		Differential Pressure (bar)				Kv (m ³ /h)		Series and Type			Power Absorption				Sealings	Weight (kg)	
			Δp Min	Δp Max		AC (VA)						DC						
				Gases	Liquids	Inrush	Holding											
	1↔2	1↔3	c.a.	c.c.	c.a.	c.c.	1↔2	1↔3	Body	Valve	Coil	VA	VA	W	W			
NC - Normally closed																		
G1/8	1.2	1.2	0	15	15	15	15	0.05	0.05	Brass	L372V03C	ZB12AX	12	6	4	5.5	FPM	0.155
	1.6	1.2		10	10	10	10	0.08	0.05									
	2	1.2		5	5	5	5	0.1	0.05									
	2.4	1.2		4	4	4	4	0.13	0.05									
G1/8	1.2	1.2	0	15	15	15	15	0.05	0.05	Stainless steel	L372V07C	ZB12AX	12	6	4	5.5	FPM	0.14
	1.6	1.2		10	10	10	10	0.08	0.05									
	2	1.2		5	5	5	5	0.1	0.05									
G1/4	1.6	1.2		10	10	10	10	0.08	0.05	Brass	L376V03C	ZB12AX	12	6	4	5.5	FPM	0.205
	2.4	1.2	0	4	4	4	4	0.14	0.05									
	1.6	1.2		10	10	10	10	0.08	0.05	Stainless steel	L376V07C							
	2.4	1.2		4	4	4	4	0.14	0.05									

TECHNICAL INFORMATION - VCEF&VCEV INSTALLATION

ORDERING EXAMPLES VALVES

Add prefix corresponding to specific conduit size required to any RedHat II valve catalog number & specify the voltage.

*options



INSTALLATION

- Installation/Maintenance instructions are included with each valve
- The solenoid operators can be mounted in any position without affecting operation
- For optimum life and performance, the solenoid should be mounted vertically and upright to reduce the possibility of foreign matter accumulating in the solenoid base sub-assembly area
- Internal and external earthing connection



ASCO Asia Pacific Contacts

Australia	61 - 2 - 9454 - 6400
China	86 - 21 - 3338 - 7300
India	91 - 44 - 6633 - 7300
Japan	81 - 798 - 65 - 6361
South Korea	82 - 234 - 83 - 1570
New Zealand	64 - 9 - 441 - 0870
Singapore	65 - 6556 - 1100
Taiwan	886 - 2 - 8912 - 1233
Thailand	66 - 2962 - 7484
Malaysia	60 - 3 - 7949 - 9228
Philippines	63 - 2 - 479 - 5100
Vietnam	84 - 8 - 6290 - 3034
Indonesia	62 - 21 - 2966 - 6242

